



SMX 95 XXX X
SMX 85 XXX X

GB English

Operating Instructions

REFRIGERATOR/FREEZER COMBINATION

Contents

Operating Instructions, 1
Assistance, 2
Description of the appliance, 3
Description of the appliance, 4
Reversible doors, 10
Installation, 5
Start-up and use, 6
Maintenance and care, 7
Precautions and tips, 8
Troubleshooting, 9

Product Guarantee and Repair Information

Guarantee

12 Months Parts and Labour Guarantee

Your appliance has the benefit of our manufacturer's guarantee, which covers the cost of breakdown repairs for twelve months from the date of purchase.

This gives you the reassurance that if, within that time, your appliance is proven to be defective because of either workmanship or materials, we will, at our discretion, either repair or replace the appliance at no cost to you:

This guarantee is subject to the following conditions:

- The appliance has been installed and operated correctly and in accordance with our operating and maintenance instructions.
- The appliance is used only on the electricity or gas supply printed on the rating plate.
- The appliance has been used for normal domestic purposes only.
- The appliance has not been altered, serviced, maintained, dismantled, or otherwise interfered with by any person not authorised by us.
- Any repair work must be undertaken by us or our appointed agent.
- Any parts removed during repair work or any appliance that is replaced become our property.
- The appliance is used in the United Kingdom or Republic of Ireland.

The guarantee does not cover:

- Damage resulting from transportation, improper use, neglect or interference or as a result of improper installation.
- Replacement of any consumable item or accessory. These include but are not limited to: plugs, cables, batteries, light bulbs, fluorescent tubes and starters, covers and filters.
- Replacement of any removable parts made of glass or plastic.

THIS GUARANTEE WILL NOT APPLY IF THE APPLIANCE HAS BEEN USED IN COMMERCIAL OR NON-DOMESTIC PREMISES.

Recycling and Disposal Information

As part of Hotpoint's continued commitment to helping the environment, Hotpoint reserves the right to use quality, recycled components to keep down customer costs and minimise material wastage.

Please dispose of packaging and old appliances carefully. To minimise the risk of injury to children, remove the door, plug, and cut the mains cable off flush with the appliance. Dispose of these parts separately to ensure that the appliance can no longer be plugged into mains socket, and the door cannot be locked shut.

Repairs and After Sales

For product help and advice, repairs, spare parts or accessories, we're here to help.

For local repair engineers - **03448 111 606**
ROI - **0818 313 413**

UK standard local rate applies
ROI local Irish rate applies

For Parts and Accessories visit:
parts.hotpoint.co.uk/shop

Please remember to register your appliance at **www.hotpointservice.co.uk** to activate your 10 year parts guarantee.

Please note, our advisors will require the following information: model number, serial number

GB - model **GB - serial number**

Mod. BIAAA 13 RW		TYPE 34874470100		S/N 00000000	
230 - 240V ~ 50Hz 1 A		Chiller Vol. Gross 0 l		Freezer Vol. Gross 116 l	
Gross 334 l	Gross 218 l	Gross 0 l	Gross 116 l	Freez. 2,0 kg/24h	Class ST
Net 303 l	Net 213 l	Net 0 l	Net 90 l		
Refr. 62 g	Freez. g				
Vирoблeнo в Пoлbцaх Сдeлaнo в Пoлbцaх MADE IN POLAND 87447		Hotpoint Company SpA, Viale Aristide Merletti 47 6044 Fabrizio (AN) Italy 19512617900			

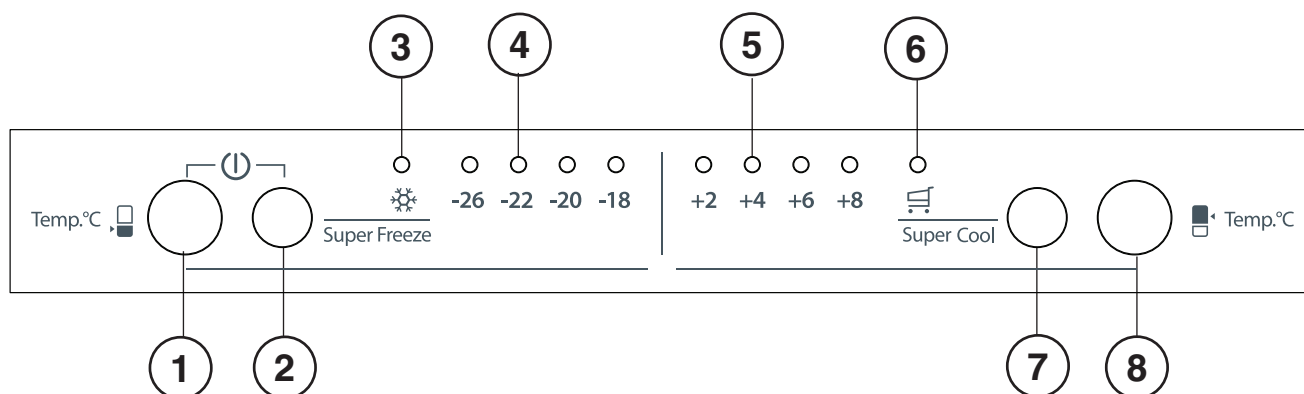
Description of the appliance

Control panel

- 1 FREEZER OPERATION** Button to regulate the temperature the freezer compartment. Button is used with **SUPER FREEZE** Button to switch on/switch off the product by pressing both 3 seconds
- 2 SUPER FREEZE** Button (rapid freezing) to freeze fresh food. Press button for 3 seconds to switch on the product while it is switched off
- 3 SUPER FREEZE** Blue light illuminates when **SUPER FREEZE** button is pressed.
- 4 FREEZER TEMPERATURE** Yellow light The temperature of the Freezer is consisted with 4 levels as indicated on serigraphy
- 5 FRIDGE TEMPERATURE** Yellow light The temperature of the Fridge is consisted with 4 levels as indicated on serigraphy
- 6 SUPER COOL** Blue light illuminates when **SUPER COOL** button is pressed.
- 7 SUPER COOL** Button (quick cool) to lower the temperature of the refrigerator compartment rapidly.
- 8 REFRIGERATOR OPERATION** button to regulate the temperature of the refrigerator compartment.

!The indicator lights are also used to indicate an unusual temperature increase in the freezer compartment (see Troubleshooting).

*Available only on certain models.



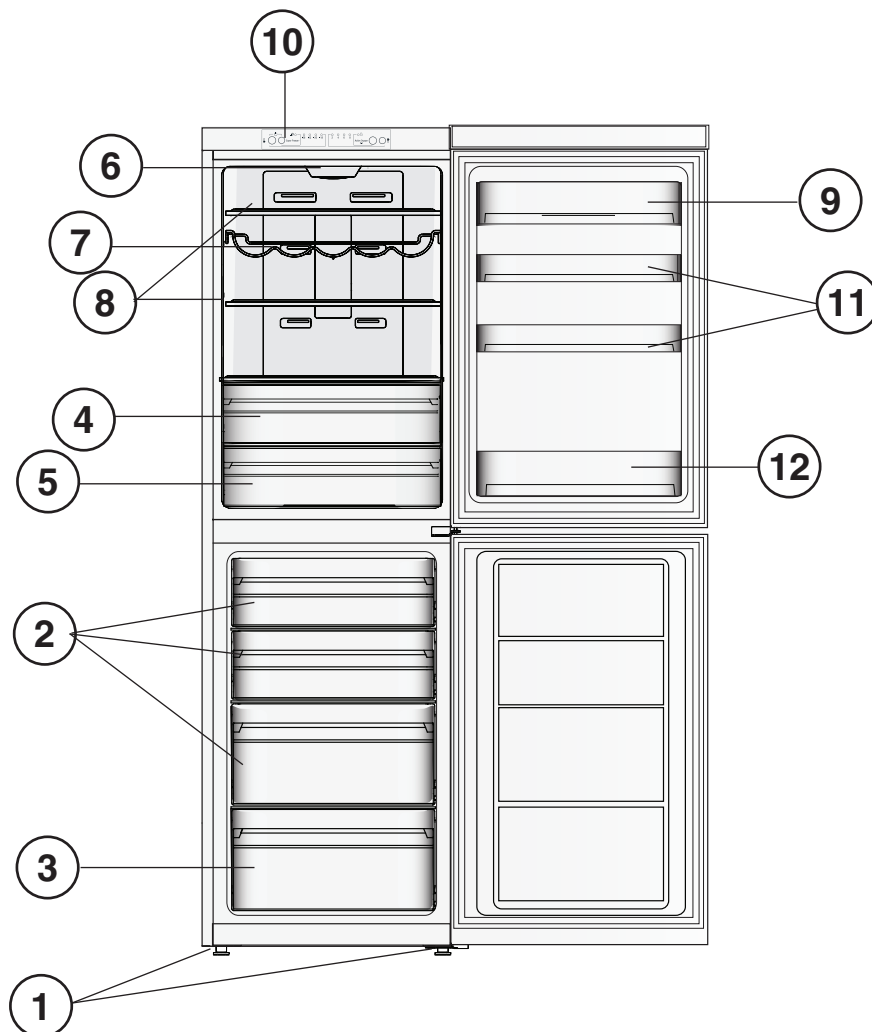
Description of the appliance

Overall view

The instructions contained in this manual are applicable to different model refrigerators. The diagrams may not directly represent the appliance purchased. For more complex features, consult the following pages.

- 1 Levelling **FEET**
- 2 **STORAGE** compartment*
- 3 **FREEZER** and **STORAGE** compartment
- 4 **FRUIT** and **VEGETABLE** bin *
- 5 **COMPARTMENT 3 IN 1 ZONE****
- 6 **LAMP** (see Maintenance).
- 7 **WINE RACK** *
- 8 **SHELVES** *
- 9 Extractable **STORAGE shelf WITH COVER**
- 10 **Control Panel**
- 11 Removable multipurpose **SHELVES** *
- 12 **BOTTLE** shelf

* Varies by number and/or position, available only on certain models.



Installation

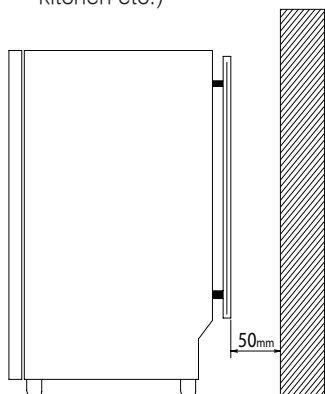
! Before placing your new appliance into operation please read these operating instructions carefully. They contain important information for safe use, for installation and for care of the appliance.

! Please keep these operating instructions for future reference. Pass them on to possible new owners of the appliance.

Positioning and connection

Positioning

1. Place the appliance in a well-ventilated humidity-free room.
2. Do not obstruct the rear fan grills. The compressor and condenser give off heat and require good ventilation to operate correctly and save energy.
3. Leave a space of at least 10 cm between the top part of the appliance and any furniture above it, and at least 5 cm between the sides and any furniture/side walls.
4. Place the device far from heat sources (direct sun light, electric kitchen etc.)



Levelling

1. Install the appliance on a level and rigid floor.
2. If the floor is not perfectly horizontal, adjust the refrigerator by tightening or loosening the front feet.

Electrical connections

After the appliance has been transported, carefully place it vertically and wait at least 3 hours before connecting it to the electricity mains. Before inserting the plug into the electrical socket ensure the following:

- The appliance is earthed and the plug is compliant with the law.
- The socket can withstand the maximum power of the appliance.
- The voltage must be in the range between the values indicated on the data plate located on the bottom left side (e.g. 220-240V).
- The socket is compatible with the plug of the appliance. If the socket is incompatible with the plug, ask an authorised technician to replace it (**see Assistance**). Do not use extension cords or multiple sockets.

! Once the appliance has been installed, the power supply cable and the electrical socket must be easily accessible.

! The cable must not be bent or compressed.

! The cable must be checked regularly and replaced by authorised technicians only (see Assistance).

! The manufacturer declines any liability should these safety measures not be observed.

Your appliance is supplied with a 13amp fused plug that can be plugged into a 13amp socket for immediate use. Before using the appliance please read the instructions below.

WARNING:

THIS APPLIANCE MUST BE EARTHED.

Replacing fuse covers:

When replacing a faulty fuse, a 13amp ASTA approved fuse to BS 1362 should always be used and the fuse cover re-fitted.

If the fuse cover is lost, the plug must not be used until a replacement is obtained.

Replacement fuse covers:

If a replacement fuse cover is fitted, it must be of the correct colour as indicated by the coloured marking or the colour that is embossed in words on the base of the plug.

Changing the plug:

Removing the plug

If your appliance has a non-rewireable moulded plug and you should wish to remove it to add a longer cable or to re-route the mains cable through partitions, units etc. please ensure that either:

- The plug is replaced by a fused 13amp re-wireable plug bearing the BSI mark of approval.
- or
- The mains cable is wired directly into a 13amp cable outlet, controlled by a switch (in compliance with BS 5733) which is accessible without moving the appliance.

Disposing of the plug

Cut off and dispose of the supplied plug if it does not fit your socket. The cable should be cut as close as possible to the moulded plug.

Remove the fuse.

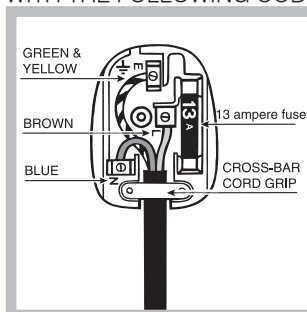
WARNING:

To avoid a shock hazard do not insert the discarded plug into a socket anywhere else.

Fitting a new plug


IMPORTANT:

WIRES IN THE MAINS LEAD ARE COLOURED IN ACCORDANCE WITH THE FOLLOWING CODE...



Green and Yellow	- Earth
Blue	- Neutral
Brown	- Live

As the colours of the wires in the mains lead may not correspond with the coloured markings identifying the terminals in your plug, proceed as follows:

- Connect **Green and Yellow** wire to terminal marked 'E' or  or coloured Green and Yellow.
- Connect **Brown** wire to terminal marked 'L' or coloured red or brown.
- Connect **Blue** wire to terminal marked 'N' or coloured Black or Blue.

If a 13amp plug (BS 1363) is used it must be fitted with a 13amp fuse.

If you are in any doubt about the electrical supply to your machine, consult a qualified electrician before use.

CE Marking certifies that this appliance conforms to the following EEC directives:

**Low Voltage Equipment - 73/23/EEC & 93/68 EEC
Electromagnetic Compatibility 89/336/EEC, 92/31/EEC & 93/68/EEC**

* Varies by number and/or position, available only on certain models.

Start-up and use

Starting the appliance

! Before starting the appliance, follow the installation instructions (see Installation).

! Before connecting the appliance, clean the compartments and accessories well with lukewarm water and bicarbonate.

! The appliance comes with a motor protection control system which makes the compressor start approximately 8 minutes after being switched on. The compressor also starts each time the power supply is cut off whether voluntarily or involuntarily (blackout).

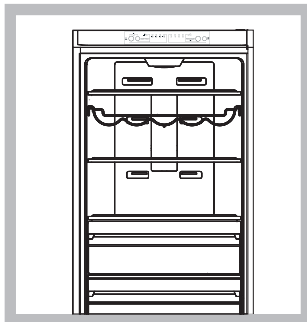
1. Insert the plug into the socket and switch on the product using the appropriate button, ensure that yellow refrigerator and freezer temperature lights illuminate.
2. After a few hours you will be able to put food in the refrigerator.
3. Press the SUPER FREEZE button (rapid freezing): the SUPER FREEZE indicator light will illuminate. Once the refrigerator has reached the optimal temperature, the indicator light goes out and you can begin food storage.

Using the refrigerator to its full potential

- Place only cold or lukewarm foods in the compartment, never hot foods (see Precautions and tips).
- Remember that cooked foods do not last longer than raw foods.
- Do not store liquids in open containers: they will increase the level of humidity in the refrigerator and cause condensation to form.

Cooling system

No Frost



The No Frost system circulates cold air continuously to collect humidity and prevent ice and frost formation. The system maintains an optimal humidity level in the compartment, preserving the original quality of the food, preventing the food from sticking together and making defrosting a thing of the past. Do not block the aeration cells by placing food or containers in direct contact with the refrigerating back panel. Close bottles and wrap food tightly.

COMPARTMENT 3 IN 1 ZONE*

This is the new box which offers maximum flexibility in order to stock your food in an excellent way.

- store meat, fish and delicate food;
- rapid cooling of hot food from 70°C to 3°C and of other fresh foods and leftovers
- low temperature defrosting (it inhibits the proliferation of microorganisms).

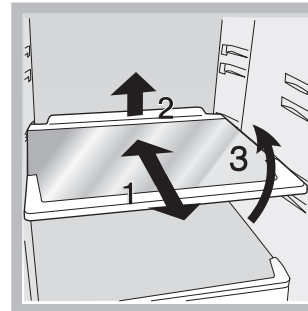
You can get the 0°C temperature, in standard conditions, when the fridge compartment temperature is at about 4°C.

By decreasing the fridge temperature you decrease the CHILLER compartment temperature too.

* Varies by number and/or position, available only on certain models.

SHELVES:

Due to the special guides the shelves are removable and the height is adjustable allowing easy storage of large containers and food. Height can be adjusted without complete removal of the shelf. (see diagram),



TEMPERATURE Indicator light*: to identify the coldest area in the refrigerator.

1. Check that OK appears clearly on the indicator light (see diagram).



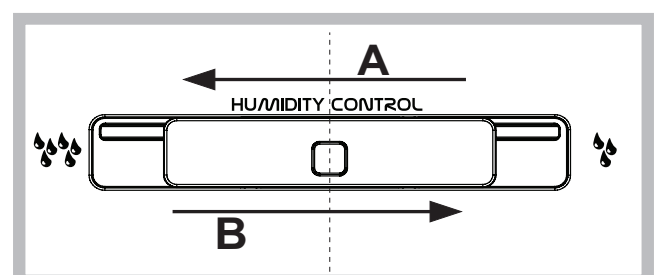
2. If the word "OK" does not appear it means that the temperature is too high: adjust the REFRIGERATOR OPERATION knob to a higher position (colder) and wait approximately 10 hours until the temperature has been stabilised.
3. Check the indicator light again: if necessary, readjust it following the initial process. If large quantities of food have been added or if the refrigerator door has been opened frequently, it is normal for the indicator not to show OK. Wait at least 10 hours before adjusting the REFRIGERATOR OPERATION knob to a higher setting.

I CARE*

Controls the activation and deactivation of the I CARE function (optimal operating temperature for minimal energy consumption). Consumption will be optimised 24h after the function was enabled. When this function is activated, the I CARE LED on the keypad lights up. Press and hold the I CARE button for 8 seconds so that the corresponding LED begins to flash; this will allow you to set the temperature to in the Refrigerator compartment and in the Freezer compartment. Two minutes after the most recent user interaction, the display enters its energy saving mode. To exit the energy saving mode, simply press any button or open the refrigerator door.

FRUIT and VEGETABLE bin*

The salad crispers fitted inside the fridge have been specially designed for the purpose of keeping fruit and vegetables fresh and crisp. Open the humidity regulator (position **B**) if you want to store food in a less humid environment like fruit, or close it (position **A**) to store food in a more humid environment like vegetable.



Coolsaver*

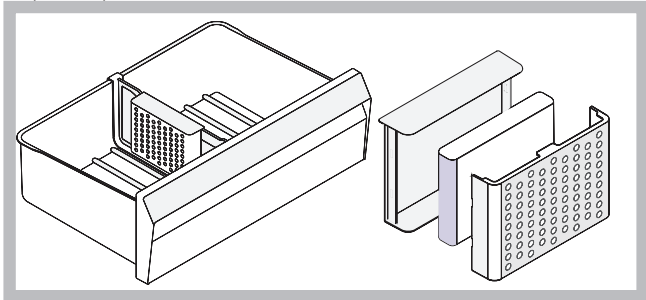
Certain fruits and vegetables generate ethylene as a natural part of their ripening cycle. Other fruits and vegetables are highly sensitive to the presence of ethylene, but may or may not produce the ethylene themselves. Coolsaver maintains longer shelf life with better food quality and fresher perishables by removing the ethylene gas that causes premature ripening and decay.

High relative humidity is good for most perishable foods but condensation is not. Coolsaver eliminates excess condensation that causes mould, mildew and bacteriological growth on food.

Coolsaver also avoids cross transfer of odors and provides an ideal environment in your refrigerator.

Coolsaver is a 100% natural inorganic mineral and keeps its full efficiency for several years. Considering the dust and humidity around the Coolsaver during the normal use of the refrigerator, it is recommended to recondition the Coolsaver periodically at each 6 months to satisfy the full effectivity. Reconditioning is a process of cleaning the Coolsaver bag with a vacuum cleaner and then putting it under sunlight for around 6 hours or inside an oven at 80 °C for 1 hour.

In order to keep the maximum effectivity and save the performance; dust, oil or other liquids must be avoided to be in contact with the Coolsaver. Such contact with these materials will cause reduction or totally loss of the effectivity of the Coolsaver minerals and may require replacement with a new one.



Using the freezer to its full potential

- Adjust the temperature using the display.
- Fresh food that needs to be frozen must not come into contact with food that has already been defrosted. Fresh food must be stored in the top FREEZER and STORAGE compartment where the temperature drops below -18°C and guarantees rapid freezing.
- To freeze fresh food in the best and safest way possible, activate the SUPER FREEZE function 24 hours before placing the food in the freezer. After placing the food inside, activate the SUPER FREEZE function again; it will be deactivated automatically after 24 hours;
- Do not re-freeze food that is defrosting or that has already been defrosted. These foods must be cooked and eaten (within 24 hours).
- Do not place glass bottles which contain liquids, and which are corked or hermetically sealed in the freezer because they could break.
- The maximum quantity of food that may be frozen daily is indicated on the plate containing the technical properties located on the bottom left side of the refrigerator compartment (for example: 2Kg/24h:).

! To avoid blocking the air circulation inside the freezer compartment, it is advisable not to obstruct the ventilation holes with food or containers.

! Do not open the door during freezing.

! If there is a power cut or malfunction, do not open the freezer

* Varies by number and/or position, available only on certain models.

door. This will help maintain the temperature inside the freezer, ensuring that foods are conserved for at least 12-18 hours.

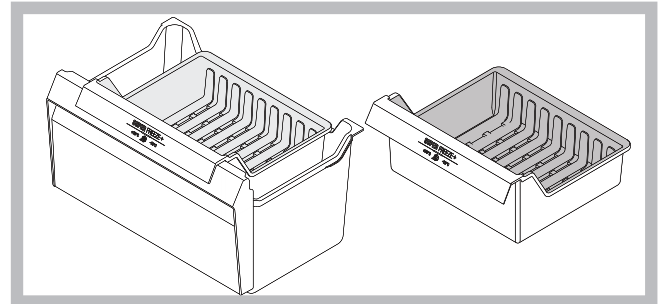
!To maximise space inside the freezer, all drawers [with the exception of the bottom drawer] can be removed from their positions and the food placed directly on the racks/glass shelves supplied [where present].

*** SUPER FREEZE +**

This compartment is used to lower the temperature of freshly cooked meals in a very rapid way, by allowing a freezing process until the core of the food. The SUPER FREEZE + drawer is the ideal solution to quickly freeze freshly cooked food as well as food that you want to store in the freezer. Thanks to the rapidity of the lowering phase, ice crystals will be smaller and they won't damage the food when it's defrosted.

Optimal usage of the SUPER FREEZE + drawer

In order to make an optimal usage of the SUPER FREEZE + drawer, you need to insert it on the lower shelf of the freezer compartment (as per figure 1). Moreover, in order to obtain a rapid lowering from +70°C to -18°C in about 4,5 hours (for 1 kg of food), position the food inside the drawer and switch on the SUPER FREEZE + feature on the Control Panel.



Maintenance and care

Switching the appliance off

During cleaning and maintenance it is necessary to disconnect the appliance from the electricity supply:

1. Press the ON/OFF button to switch off the appliance.
2. Pull the plug out of the socket.

! If this procedure is not followed, the alarm may sound. This alarm does not indicate a malfunction. To restore normal operation, hold the ON/OFF button down for more than two seconds. To disconnect the appliance, follow points 1 and 2 above.

I Care function*

The I CARE function can be enabled to optimise energy consumption. Press and hold down the ACTIVE OXYGEN and REFRIGERATOR OPERATION buttons simultaneously for at least 6 seconds to enable this function. On enabling the function, 4 indicator lights will go on for 2 seconds: ACTIVE OXYGEN light, SUPER FREEZE light and two temperature lights - one for the refrigerator and one for the freezer. After 5 seconds the interface will enter the energy saving mode and the indicator lights will go off. The interface stays off even when the door is opened. Just press any button to switch it on again. Press the adjustment buttons to change the temperature. Consumption will be optimised 48h after the function was enabled. To disable the I CARE function, switch off the product (see description). The product can be switched on again for normal operation.

In humid environments, when the I CARE function is enabled, slight condensation may form on the doors; normal operating conditions are restored when the function is disabled.

Cleaning the appliance

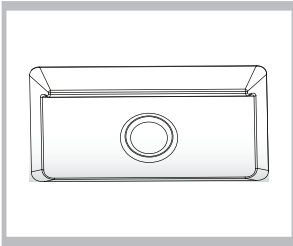
- The external and internal parts, as well as the rubber seals may be cleaned using a sponge that has been soaked in lukewarm water and bicarbonate of soda or neutral soap. Do not use solvents, abrasive products, bleach or ammonia.
- The removable accessories may be soaked in warm water and soap or dishwashing liquid. Rinse and dry them carefully.
- The back of the appliance may collect dust which can be removed by delicately using the hose of a vacuum cleaner set on medium power. The appliance must be switched off and the plug must be pulled out before cleaning the appliance.

Avoiding mould and unpleasant odours

- The appliance is manufactured with hygienic materials which are odour free. In order to maintain an odour free refrigerator and to prevent the formation of stains, food must always be covered or sealed properly.
- If you want to switch the appliance off for an extended period of time, clean the inside and leave the doors open.

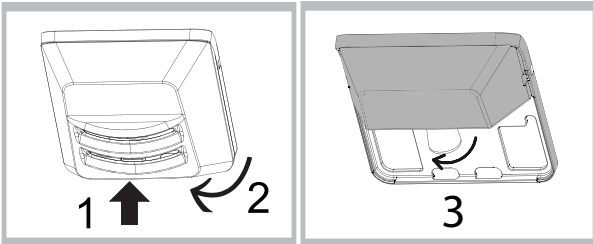
Replace LED * light

The LED lighting, thanks to the powerful diffused light, allows a clear view of each food. If you need to replace the LED light, contact the Technical Service.



Replacing the light bulb *

To replace the light bulb in the refrigerator compartment, pull out the plug from the electrical socket. Follow the instructions below. Access the light bulb by removing the cover as indicated in the diagram. Replace it with a similar light bulb within the power range indicated on the cover.



Precautions and tips

! The appliance was designed and manufactured in compliance with international safety standards. The following warnings are provided for safety reasons and must be read carefully.



This appliance complies with the following Community Directives:
 - 73/23/EEC of 19/02/73 (Low Voltage) and subsequent amendments;
 - 89/336/EEC of 03.05.89 (Electromagnetic Compatibility) and subsequent amendments;
 - 2002/96/CE.

General safety

- The appliance was designed for domestic use inside the home

and is not intended for commercial or industrial use.

- The appliance must be used to store and freeze food products by adults only and according to the instructions in this manual.
- The appliance must not be installed outdoors, even in covered areas. It is extremely dangerous to leave the appliance exposed to rain and storms.
- Do not touch the appliance with bare feet or with wet or moist hands and feet.
- Do not touch the internal cooling elements: this could cause skin abrasions or frost/freezer burns.
- When unplugging the appliance always pull the plug from the mains socket, do not pull on the cable.
- Before cleaning and maintenance, always switch off the appliance and disconnect it from the electrical supply. It is not sufficient to set the temperature adjustment knobs on ON/OFF (appliance off) to eliminate all electrical contact.
- In the case of a malfunction, under no circumstances should you attempt to repair the appliance yourself. Repairs carried out by inexperienced persons may cause injury or further malfunctioning of the appliance.
- Do not use any sharp or pointed utensils or electrical equipment - other than the type recommended by the manufacturer - inside the frozen food storage compartments.
- Do not put ice cubes taken directly from the freezer into your mouth.
- This appliance is not intended for use by persons (including children) with reduced physical, sensory or lack of experience and knowledge unless they have been given supervision or instruction concerning use of the appliance by a person responsible for their safety. Children should be supervised to ensure that they do not play with the appliance.
- Keep packaging material out of the reach of children! It can be a choking or suffocation hazard.

Disposal

- Observe local environmental standards when disposing packaging material for recycling purposes.
- The European Directive 2002/96/EC on Waste Electrical and Electronic Equipment (WEEE), requires that old household electrical appliances must not be disposed of in the normal unsorted municipal waste stream. Old appliances must be collected separately in order to optimise the recycling of the materials they contain and reduce the impact on human health and the environment. The crossed out "wheeled bin" symbol on the product reminds you of your obligation, that when you dispose of the appliance it must be separately collected. Consumers should contact their local authority or retailer for information concerning the correct disposal of their old appliance.

Respecting and conserving the environment

- Install the appliance in a fresh and well-ventilated room. Ensure that it is protected from direct sunlight and do not place it near heat sources.
- Try to avoid keeping the door open for long periods or opening the door too frequently in order to conserve energy.
- Do not fill the appliance with too much food: cold air must circulate freely for food to be preserved properly. If circulation is impeded, the compressor will work continuously.
- Do not place hot food directly into the refrigerator. The internal temperature will increase and force the compressor to work harder and will consume more energy.
- Defrost the appliance if ice forms (see **Maintenance**). A thick layer of ice makes cold transference to food products more difficult and results in increased energy consumption.

Troubleshooting

If the appliance does not work, before calling for Assistance (see Assistance), check for a solution from the following list.

Any indicator lights do not illuminate.

- If the function I Care is not active (see section), the plug has not been inserted into the electrical socket, or not far enough to make contact, or there is no power in the house.

The motor does not start.

- The appliance comes with a motor protection control (see Start-up and use).

The indicator lights are on but the light is dim.

- Pull out and reverse the plug before putting it back in the socket.

a) The alarm sounds.

- The refrigerator door has remained open for more than two minutes (the buzzer will stop sounding when you shut the door) or the correct switching-off procedure was not followed (see Maintenance).

b) The alarm sounds and the two blue indicator lights flash.

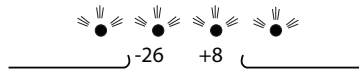
- The temperature in the freezer is too high. Check the quality of the food products and dispose if necessary.



+ buzzer = Heating is excessive

c) The alarm sounds and the two yellow indicator and one blue lights flash.

- The temperature in the freezer has reached a dangerous level. The food must be disposed immediately.



+ buzzer = Heating danger

b/c) In both these cases the freezer will maintain a temperature of about 0°C so that the food does not re-freeze.

To turn off the acoustic signal open and close the refrigerator door. restore normal operation product should be switched off and switched on by buttons from control panel (See the description)

The refrigerator and the freezer do not cool well.

- The doors do not close properly or the seals are damaged.
- The doors are opened too frequently.
- The refrigerator or the freezer have been over-filled.

The food inside the refrigerator is beginning to freeze.

- The temperature is not adjusted properly (see description)
- The food is near the back inside wall of the refrigerator.

The motor runs continuously.

- The SUPER FREEZE button has been pressed (rapid freezing): the blue SUPER FREEZE light is on (see Description).
- The door is not closed properly or is continuously opened.
- The outside ambient temperature is very high.

The appliance makes a lot of noise.

- The appliance has not been installed on a level surface (see Installation).
- The appliance has been installed between cabinets that vibrate and make noise.
- The internal refrigerant makes a slight noise even when the compressor is off. This is not a defect, it is normal.

