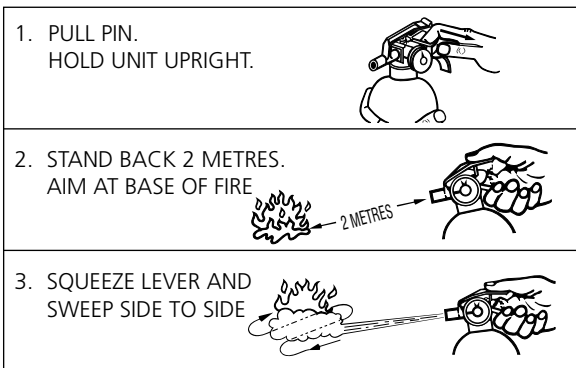


## How to use your KIDDE EXTINGUISHER



- Use upright with PASS technique:**
- P** Pull the pin on the fire extinguisher, stand back 2 metres.
  - A** Aim the fire extinguisher at the base of the fire.
  - S** Squeeze the handle of the fire extinguisher to discharge contents.
  - S** Sweep the fire extinguisher back and forth repeatedly to cover the base of the fire.

*After the fire is out, clean up dry powder immediately to avoid corrosion. Wash off Foam.*

## INSPECTION & MAINTENANCE

- Inspect the extinguisher AT LEAST once a month - more frequently if exposed to weather or possible tampering.
- Check the extinguisher is charged.
- **Gauged** Extinguisher: Check pointer on pressure indicator MUST be in the Green Section.
- **Buttoned** Extinguisher: Check pressure by pressing in indicator button. If button does not spring back, extinguisher will not work properly and must be discarded.
- Be sure that lock pin and tamper seal are intact and in place.
- Check for dents, scratches, corrosion or any other damage.
- Check the discharge nozzle. Make sure it is clean and free of obstructions.
- Discharge and discard after any use.
- **WARNING!** Never test extinguisher by partially discharging. Loss of pressure will occur and render the extinguisher ineffective. It MUST be replaced immediately.

## WARNINGS

- These extinguishers are PRESSURISED containers.
- Propellant gas is compressed nitrogen or compressed air.
- DO NOT incinerate
- Keep children AWAY from extinguishers.
- Do NOT discharge at a person's face.
- Avoid direct contact with OR inhalation of extinguisher contents. Extinguisher contents are NOT toxic but may cause eye, respiratory or skin irritation. In case of contact, flush eyes or skin with clean, cool water for 15 minutes. If irritation persists, contact a doctor IMMEDIATELY. The chemical names of extinguisher contents are printed on extinguisher label.

### Warranty - Keep your Receipt

Check your Fire Extinguisher for its applicable warranty period. This is given on the front and will be found on your Fire Extinguisher label. We warrant that, for (2 or 6 years, whichever is applicable) from the date of purchase, this product will be free from defects in materials and workmanship. This warranty will not apply to any product which we determine was subjected to misuse, accident or alteration or was operated or maintained other than according to our instructions.

In addition, this warranty only applies to the original end-user purchaser.

All implied warranties with respect to this product, including warranties for merchantability and fitness for the particular purpose, are limited in duration to the period of warranty stated express limited warranty period listed above. Other than the warranties listed above, we make no other warranties, express or implied.

The purchaser's exclusive remedy for any breach of warranty shall be, at our option, the repair, replacement, or return for credit of the product. In no event will we, our Dealers or Distributors be liable to the Purchaser or any other person for indirect, consequential, incidental or special damages. This warranty does not effect your statutory rights. To obtain warranty performance, if applicable, the product should be brought to the original place of purchase, or the purchaser may write/call Consumer Information: Kidde Safety Europe Limited, Mathisen Way, Colnbrook, Slough, Berkshire SL3 0HB Telephone 0800 917 0722.

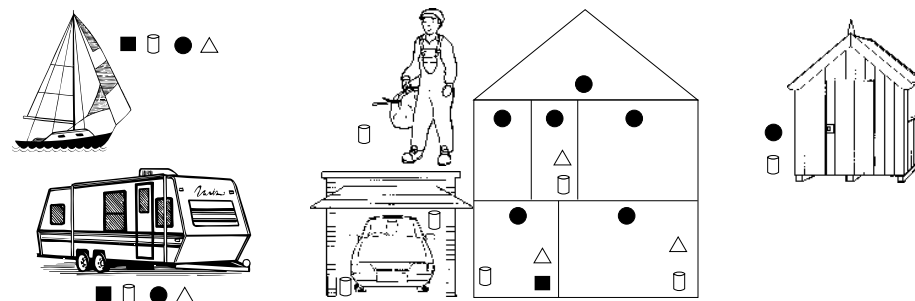
P/N 368120C



## Owners Manual

### Kidde Safety manufacture and supply a whole range of Protection Products for your Home, Work and Leisure

- Fire Extinguishers** should be installed in cooking areas, halls, landings, workshops, cars/vehicles, boats, garden sheds, caravans, carried by tradesmen etc.
- Smoke Alarms** should be installed in every room in the home including loft areas, boat, caravan and holiday home.
- Carbon Monoxide Alarms** should be installed on each level placed in living and sleeping areas in the home, caravan/holiday home, boat etc.
- Fire Blankets** should be placed near cooking appliances in kitchen areas, in the home/commercial kitchen, caravan/holiday home, boat etc.
- Escape Ladder/s** kept easily accessible on floors above ground level.



Understanding FIRE EXTINGUISHER CLASSIFICATIONS - Check your Fire Extinguisher label to determine which Extinguisher you have purchased

Pictograms representing types of Fire by classification		Fire Classification	BC (Standard Powder) Blue Label	ABC POWDER Blue Label	CARBON DIOXIDE Black Label	WATER All Red with White Lettering
EN3 (European)	UL (USA) Equivalent					
		Fires involving solid materials such as <b>Wood, Paper, Textiles, etc</b>	X	✓	X	✓
		Fires involving flammable liquids eg <b>Petrol, Oil, Fat, Paint, Solvents, Grease etc</b>	✓	✓	✓	X
	<b>Not Applicable</b> But safe for use on gaseous fires	Fires involving flammable gases eg <b>Propane, Butane, Acetylene, Natural Gas etc</b>	✓	✓	X	X
		Fires involving <b>Electrical Equipment</b>	✓	✓	✓	X

Model	Description	Part Number	Agent	Cont	Cert	Rating	Pressure Indicator	Warranty	Meets with various Legislation/ Recommendations/ Regulations
2EN3 TC	Commercial	466561	ABC Dry Powder	2.0Kg	EN3	13A 70B	Gauge	6 Years	✓
1EN3 TC	All Purpose	466560	ABC Dry Powder	1.0Kg	EN3	8A 34B	Gauge	6 Years	✓
Auto5FX	Auto	466340	BC Dry Powder	0.9Kg	UL	5BC	Button	2 Years	N/A
FA5	General Purpose	466261	BC Dry Powder	0.9Kg	UL	5BC	Gauge	6 Years	N/A
KK2	Kitchen	440196	BC Dry Powder	0.6Kg	UL	2BC	Button	2 Years	N/A
100D	Basic	4004000UK	BC Dry Powder	0.7Kg	UL	2BC	Button	2 Years	N/A

NB - All the above Fire Extinguishers are Disposable. Do NOT attempt to refill and pressurise (recharge)  
\* The European electrical symbol shown above is from a British Standard.

Visit our web site on [www.kiddesafetyeurope.co.uk](http://www.kiddesafetyeurope.co.uk)

# INSTALLATION

## How to Assemble and Install Mounting Your Extinguisher with Bracket provided

Secure the mounting bracket provided with appropriate hardware to ensure the extinguisher cannot fall as personal injury or property damage may result. Wood screws (not provided) should be used for mounting in wall studs. Mounting in drywall requires special hardware (not provided) such as toggle bolts, mollys or proper screws and inserts to ensure adequate strength. **DO NOT** mount in drywall with wood screws alone. Mount your extinguisher in an **easily accessible** and **prominent position**.

Install extinguisher in a location that does not exceed manufacturer's specified temperature range stated on label.

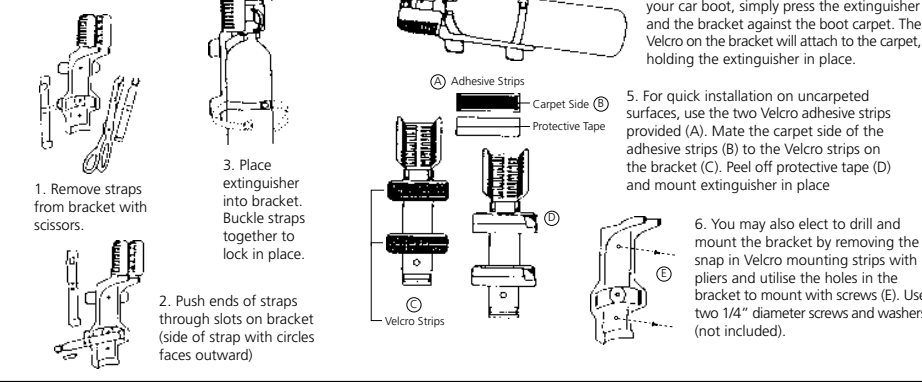
## In the Car/Vehicle

Note: We recommend that two extinguishers are securely installed. One in the boot and one in the front well under the passenger seat.

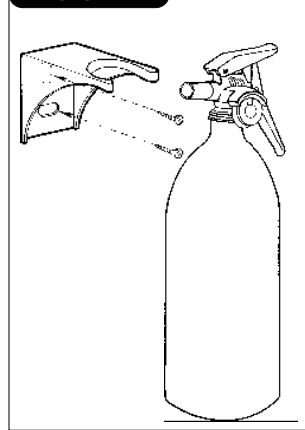
### 1EN3TC & FA5



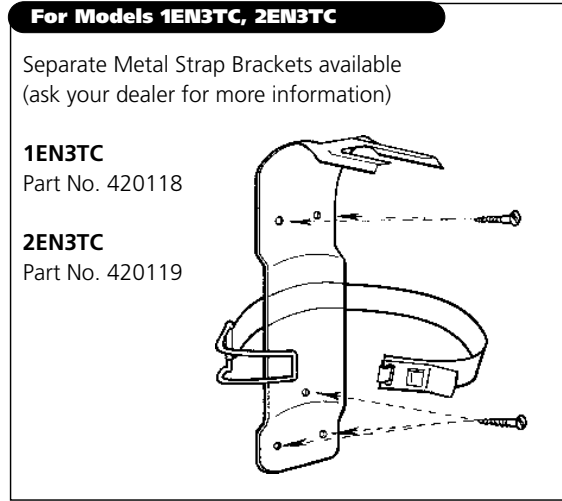
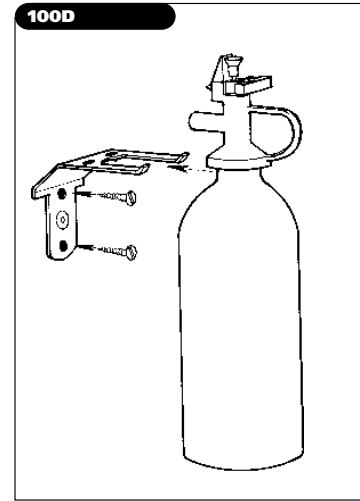
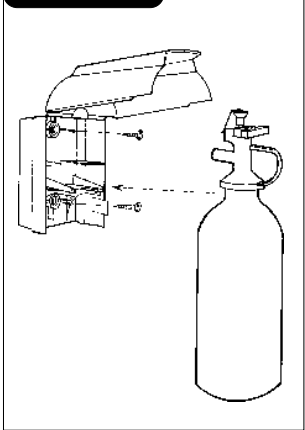
### AUTOSFX



### 2EN3TC



### KK2



## FIRE PROCEDURE

### Remember

Get everybody outside and completely away from danger area in a safe place.

### Call the Fire Brigade by dialling 999 (This number may be prefixed in commercial premises).

- Never put yourself, family or other persons at risk.
  - Remember - Portable Fire Extinguishers can be used as a first remedy only.
  - Use only **IF** you can get within 2 metres. If you cannot, the fire is **TOO BIG - DO NOT TACKLE IT** - Leave it to the Fire Brigade.
  - Switch off all power supplies to avoid electrocution IF it is safe to do so.
  - When faced with flammable gas fires, only attempt to extinguish fire if the Gas supply can be turned off to remove explosion risk.
- Close doors on your way out.  
Do NOT stop to collect personal effects.

### UNDER THE BONNET FIRES (CAR/VEHICLE)

Get everybody outside and completely away from danger area in a safe place and away from traffic.

### Call the Fire Brigade by dialling 999

- Never put yourself, family or other persons at risk.
- Remember - Portable Fire Extinguishers can be used as a first remedy only.
- If the fire is **TOO BIG - DO NOT TACKLE IT** - Leave it to the Fire Brigade.
- For a small fire, IF safe to do so:
  - Release the bonnet catch
  - ▲ DO NOT FULLY OPEN** bonnet. Caution: Beware of windy conditions.
  - Direct extinguisher nozzle through the gap under the bonnet and fully discharge contents.
- IMPORTANT NOTE:** Even if it appears that the Fire is extinguished **DO NOT** attempt to open the bonnet to check. Await the arrival of the Fire Brigade.

### CHIP PAN FIRES: USE A FIRE BLANKET

Fire Extinguishers are not generally recommended for use on this type of fire.