

Document No:
Date :

NISM/ACCES/03
NOVEMBER 2001

From world leaders in **SENSOR TECHNOLOGY**
comes **SENSORTEC.....**

SENSORTEC-ACCESSORIES
CONVENTIONAL
BELLS, SOUNDERS,
CALLPOINTS,
REMOTE INDICATOR LED,
BEACONS & SOUNDER/BEACONS
INSTRUCTION MANUAL

NITTAN (UK) LTD



Quality System Certificate No. 041
Assessed to BS EN ISO 9002

NITTAN (UK) LTD.

Hipley Street
Old Woking
Surrey
England
GU22 9LQ
United Kingdom

Tel: +44 (0) 1483 769555
Fax: +44 (0) 1483 756686
E-mail: sales@nittan.co.uk
Web Site: www.nittan.co.uk



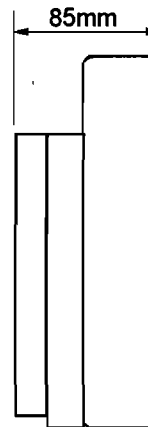
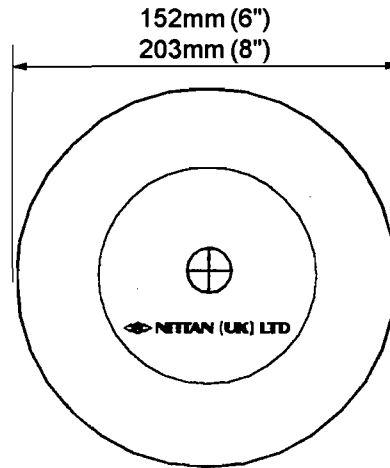
SENORTEC-ACCESSORIES
BELLS, SOUNDERS,
CALLPOINTS,
REMOTE INDICATOR LED & SOUNDERS/BEACONS
INSTRUCTION MANUAL

No: NISM/ACCES/03	
DATE: NOVEMBER 2001	
PAGE: 1 of 8	ISSUE: 03

CONTENTS

NBM-06 Bell (6")	- - -	Page 1
NBM-08 Bell (8")	- - -	Page 1
LFB-24 Sounder Banshee	-	Page 2
VCT-03-NT Base Version Sounder		Page 2
VCT-03-NT Wall Version Sounder		Page 2
VRS1-R or W Bedhead Sounder		Page 3
VPR-SA2-R or W Viper Sounder		Page 4
NCP-K (470) Manual Call Point	-	Page 5
NCP-K470-WP Manual Call Point (Weatherproof IP65 version)	-	Page 5
STA-R1 Remote LED	-	Page 6
IB-R-SW2-24 Beacon	- -	Page 7
FL-RL-RD Sounder/Beacon	-	Page 7
1992ROSH-DB IP65 Sounder	-	Page 7

DIMENSIONS
NBM-06 & NBM-08 BELLS



NBM-06 & NBM-08 BELLS

DESCRIPTION

The NBM -06 bell is motorised in operation and is of lightweight, aluminium alloy construction painted red. The NBM-06 and NBM-08 are designed specifically for applications where low current consumption is a requirement. The NBM-08 is a solenoid type bell.

The NBM-06 fixing bracket is suitable for all types of conduit fittings including BESA and the bell may be suspended on the bracket whilst terminating cables. The motors are polarised and suppressed.

The NBM-08, when used externally, (increase to IP65), requires a weatherproof gasket box part number WGB/P.

TECHNICAL SPECIFICATION

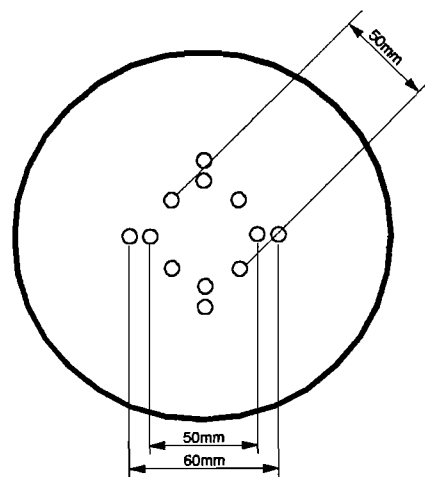
NBM-06

Supply Voltage	18-30Vd.c.
Operating Current	25mA,
Sound Output	93/95dB @1m
Diameter	6", (152mm)
Weight	0.85Kg

NBM-08

Supply Voltage	24-48Vd.c.
Operating Current	55mA,
Sound Output	102dB @1m
Diameter	8", (203mm)
Weight	2.1Kg
IP Rating	IP65 c/w gasket box.

REAR VIEW FIXING POSITIONS





NITTAN

**SENORTEC-ACCESSORIES
BELLS, SOUNDERS,
CALLPOINTS,
REMOTE INDICATOR LED & SOUNDERS/BEACONS
INSTRUCTION MANUAL**

No: NISM/ACCES/03	
DATE: NOVEMBER 2001	
PAGE: 2 of 8	ISSUE: 03

**LFB-24 ELECTRONIC BANSHEE
SOUNDER
DESCRIPTION**

The Banshee Low Profile Sounder model LFB24 complies fully with the requirements of BS5839 Part 1 1980. It features a snap-on front, for ease of installation, it also has a rear cable entry for maximum flexibility.

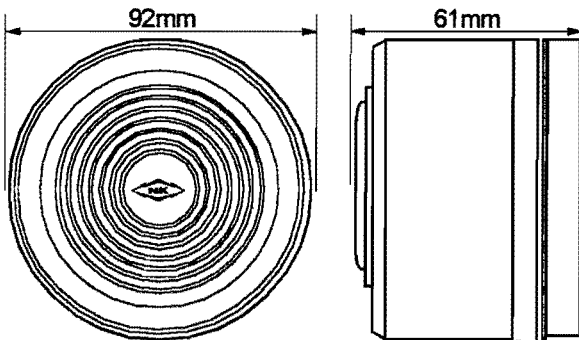
Measuring only six centimetres deep this Low Profile Banshee Sounder blends unobtrusively into background in to most installations.

The LFB24 features Buzz, Fast Sweep, Slow Sweep and Continuous tones.

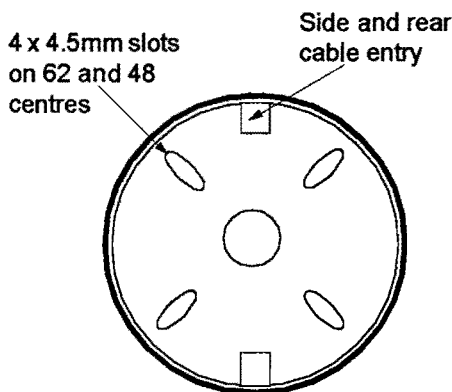
TECHNICAL SPECIFICATION

Supply Voltage	24Vd.c.
Operating Current	12-17mA
Sound Output	68dB-103dB
IP Rating	IP45
Weight	250g

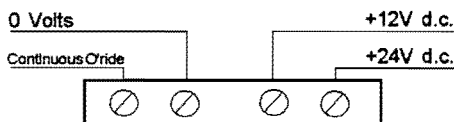
DIMENSIONS



REAR VIEW FIXING POSITIONS



LFB-24 CONNECTIONS



**VCT-03-NT BASE MOUNTED SOUNDER
DESCRIPTION**

The VCT-03-NT conventional base or wall, (with cap - see description below) mounted electronic sounder has been designed for use with a standard Nittan STB-4 series base.

The VCT-03-NT sounder base gives systems designers a new low profile design, whilst giving the installers reduced installation time with it's wide cable access and rising clamp terminals.

Wiring from the fire alarm control panel's sounder circuit may wired directly into the VCT-03-NT base mounted sounder and then on to the next sounder.

TECHNICAL SPECIFICATION

Supply Voltage	8-35V d.c.
Current Consumption	<12mA
Sound Output	90 dB @ 1m.
Number of Tones	4
IP Rating	IP43

**VCT-03-NT WALL MOUNTED VERSION
SOUNDER C/W CAP
DESCRIPTION**

The VCT-03-NT conventional base mounted electronic sounder can be easily converted to an attractively styled, wall mounted sounder by the addition of a red (VCT-03-CP-R) or white (VCT-03-CP-W) vector cover plate/cap which easily clips onto the front of the sounder.

The VCT-03-NT sounder base gives systems designers a new low profile design, while giving the installers reduced installation time with it's wide cable access and rising clamp terminals.

Wiring from the fire alarm control panel's sounder circuit may wired directly into the VCT-03-NT base or wall mounted sounder and then on to the next sounder.

ACCESSORIES

These vector plate/caps are used together with the VCT-03-NT base/wall mounted conventional sounder and must ordered together with this sounder.

VCT-03-CP-W: Spare Vector Plate/cap (White)

VCT-03-CP-R: Spare Vector Plate/cap (Red)

TECHNICAL SPECIFICATION

Supply Voltage:	8-35V d.c.
Current Consumption:	<12mA
Sound Output:	93 dB @ 1m.
Number of Tones:	4
IP Rating:	IP43



NITTAN

**SENORTEC-ACCESSORIES
BELLS, SOUNDERS,
CALLPOINTS,
REMOTE INDICATOR LED & SOUNDERS/BEACONS
INSTRUCTION MANUAL**

No: NISM/ACCES/03	
DATE: NOVEMBER 2001	
PAGE: 3 of 8	ISSUE: 03

**VRS-1-R & VRS-1-W CONVENTIONAL
BED HEAD MOUNTED SOUNDER**

The VRS-1 conventional bedhead mounted electronic sounder has been designed for use with conventional fire detection systems.

The VRS-1 sounder is small in size but big on sound output. With its low current consumption and high sound output the VRS-1 gives systems designers increased flexibility where a sounder with minimum visual impact is required.

Wiring from the fire alarm control panel's sounder circuit may be wired directly into the VRS-1 bedhead mounted sounder and then on to the next sounder.

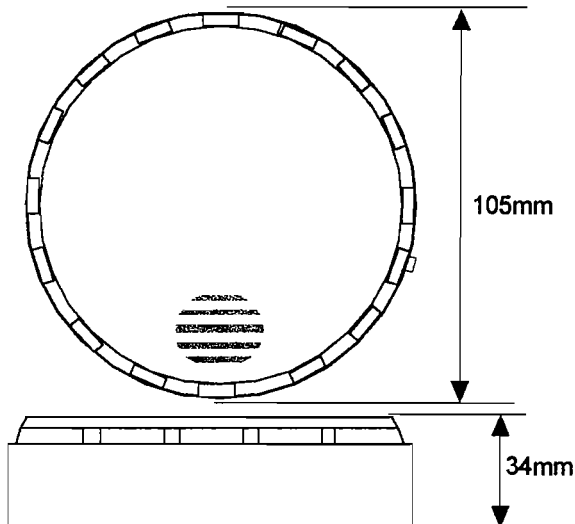
The VRS-1 sounder is available in either white or red colour, suffix R or W.

TECHNICAL SPECIFICATION

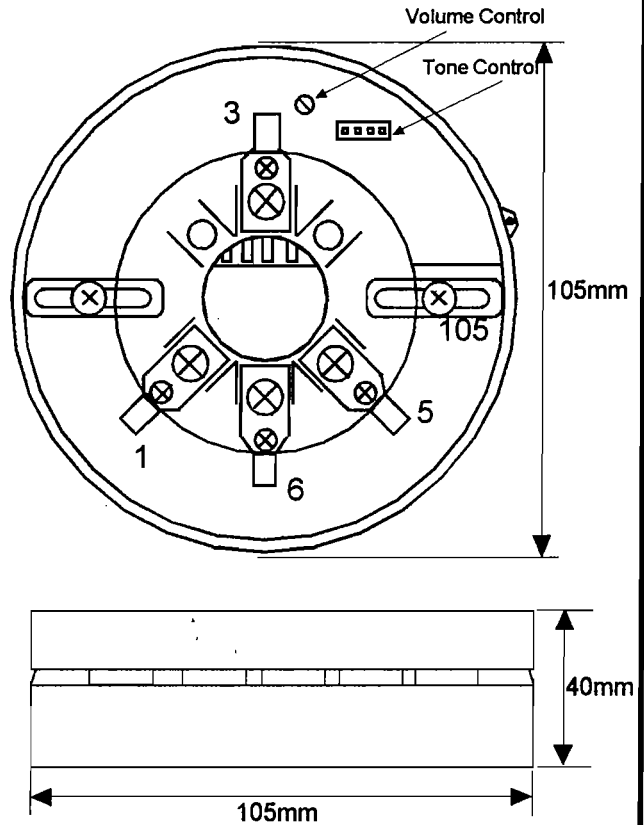
Part Numbers	Description
Sounders	
VRS-1-R	Red bedhead sounder
Computer No.	FO6N*82426
VRS-1-W	White bedhead sounder
Computer No.	FO6N*82427
Backbox's	
DBB-R	Red Backbox for VRS-1-R
Computer No.	FO16N*81469
DBB-W	White Backbox for VRS-1-W
Computer No.	FO16N*81468
Supply Voltage	8-35V d.c.
Current Consumption	<18mA
Sound Output	101 dB @ 1m.
Number of Tones	4
IP Rating	IP43

DIMENSIONS

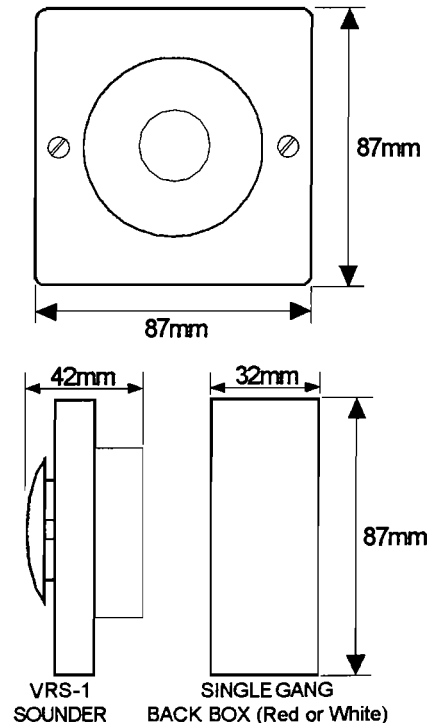
**VCT-03-NT BASE MOUNTED SOUNDER
SHOWN HERE WITH VECTOR PLATE/CAP**



**VCT-03-NT BASE SOUNDER SHOWN
HERE WITH STB-4 BASE**



**VRS-1-R RED CONVENTIONAL BED
HEAD MOUNTED SOUNDER**





NITTAN

**SENSORTEC-ACCESSORIES
BELLS, SOUNDERS,
CALLPOINTS,
REMOTE INDICATOR LED & SOUNDERS/BEACONS
INSTRUCTION MANUAL**

No: NISM/ACCES/03	
DATE: NOVEMBER 2001	
PAGE: 4 of 8	ISSUE: 03

**VPR-SA2-R & VPR-SA2-W VIPER
ELECTRONIC SOUNDER
DESCRIPTION**

The Viper SA-2 sounder has been designed for applications where low current consumption relative to high sound output is required.

With an operating frequency of 800-1000Hz each sounder provides sound within the frequency range specified in BS5839. Each sounder also has a wide operating voltage range of 8-35V d.c..

Different tones are available by selecting either Warble, Sweep, or Pips via the jumper fitted to the PCB. By using three wires, a second stage alarm may be switched so that the continuous tone will override the tone selected.

The sounder casing material is ABS and is supplied in either red or white colours.

Each sounder is supplied complete with its own mounting base which comes with marker points for drilling two M20 cable gland entries.

PART NUMBERS

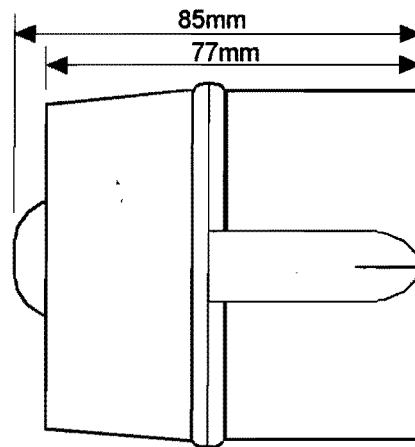
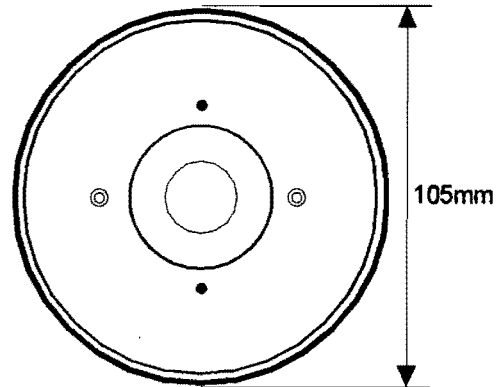
Part Number	Description
VPR-SA2-R	Red Viper Sounder
Computer No.	FO6N*82439

Part Number	Description
VPR-SA2-W	White Viper Sounder
Computer No.	FO6N*82428

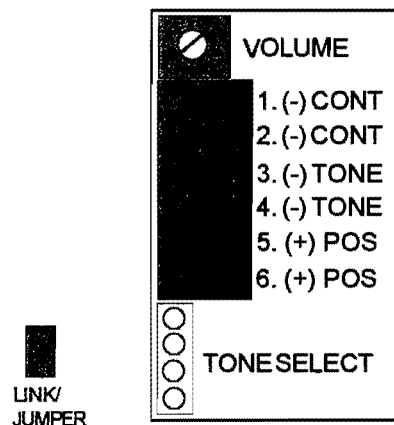
TECHNICAL SPECIFICATION

Supply Voltage Range:	8-35Vd.c.
Operating Current @ 26V d.c.:	c.9mA
Sound Output @ 1m:	103dB(a)
IP Rating:	IP65
Weight:	200grams
Operating Frequency:	800-1000Hz
Number of Tones:	4
Volume Control:	-30dB(a)

DIMENSIONS



CONNECTION LAYOUT



SWEEP



PIPS



WARBLE





NITTAN

**SENORTEC-ACCESSORIES
BELLS, SOUNDERS,
CALLPOINTS,
REMOTE INDICATOR LED & SOUNDERS/BEACONS
INSTRUCTION MANUAL**

No: NISM/ACCES/03
DATE: NOVEMBER 2001
PAGE: 5 of 8
ISSUE: 03

NCP-K(470) MANUAL CALL POINT

The NCP-K470 manual call point operates by releasing a concealed microswitch when the glass is broken. The glass element is pre-scored to break easily under thumb pressure and thus no striker is required.

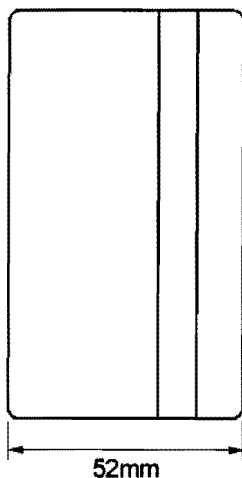
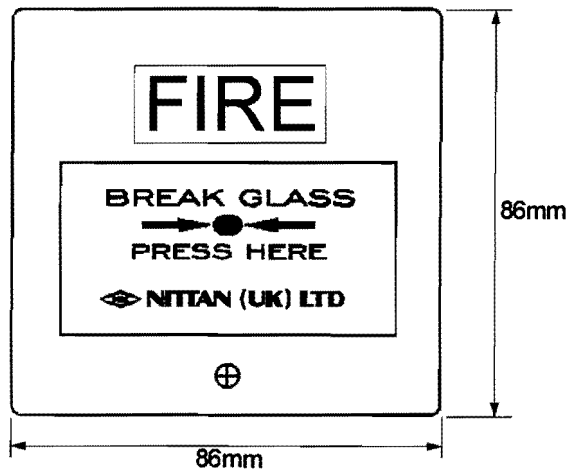
The NCP-K470 is fitted with a 470 Ohm short circuit series monitor resistor. Each call point is supplied with a test key which, when inserted, simulates breaking the glass by allowing it to drop, causing actual operation of the micro-switch.

The NCP-K470 is suitable for connection to both normally open and normally closed circuits. The switch type is a Single pole change-over switch with silver contacts.

TECHNICAL SPECIFICATION

Supply Voltage 24Vd.c.
Contact Single pole changeover

The maximum switching, resistive load is 8 Amps @ 30V d.c. and 3A @ 50V d.c..



MANUAL CALL POINT - NCP-K470-WP

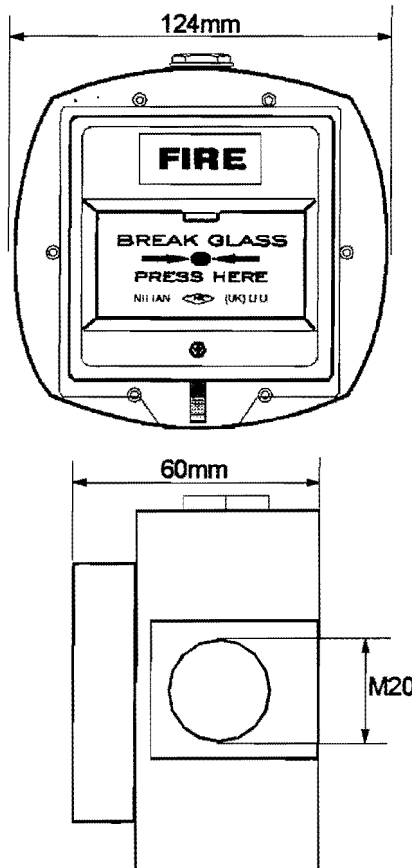
The NCP-K470-WP Weather proof, (IP67), manual call point operates by releasing a concealed microswitch when the glass is broken. The glass element is pre-scored to break easily under thumb pressure and thus no striker is required.

The NCP-K470-WP is fitted with a 470 Ohm short circuit series monitor resistor. Each call point is supplied with a test key which, when inserted, simulates breaking the glass by allowing it to drop, causing actual operation of the micro-switch.

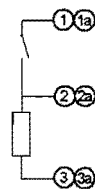
TECHNICAL SPECIFICATION

Supply Voltage 24Vd.c.
Contact Single pole changeover

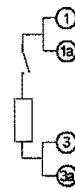
The maximum switching, resistive load is 8 Amps @ 30V d.c. and 3A @ 50V d.c..



CALL POINT CONNECTIONS



NCP-K(470)



NCP-K470-WP



NITTAN

**SENSORTEC-ACCESSORIES
BELLS, SOUNDERS,
CALLPOINTS,
REMOTE INDICATOR LED & SOUNDERS/BEACONS
INSTRUCTION MANUAL**

No: NISM/ACCES/03

DATE: NOVEMBER 2001

PAGE: 6 of 8

ISSUE: 03

**STA-R1 REMOTE INDICATOR LED
DESCRIPTION**

The STA-R1 remote indicator LED is for use with NITTAN conventional and analogue addressable fire detection and alarm systems.

It has been designed for fire alarms systems requiring local indication of an individual or group of fire detectors in alarm.

The STA-R1 uses an ultra-bright LED with a wide area of illumination.

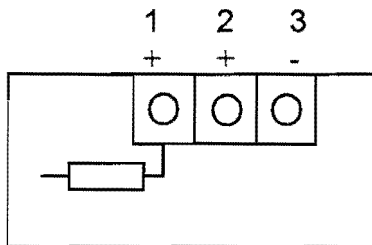
The STA-R1 also may be used for other applications requiring a local visual indication such as process control, security and shutdown operations.

TECHNICAL SPECIFICATION

Supply Voltage 5V d.c. to 28V d.c.

(Note: Current dependant on voltage, supply may be connected through resistor or direct to LED.)

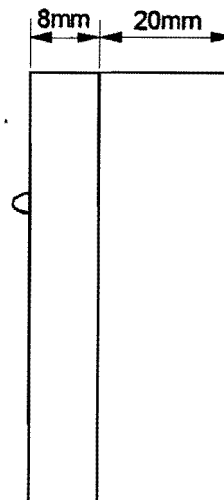
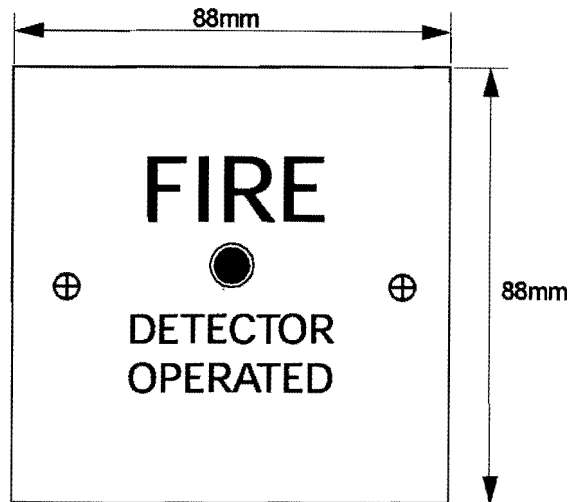
CONNECTIONS



For conventional systems:
Connect across load resistor
(Terminals 1 & 3.)

For analogue addressable systems:
Connect across diode
(Terminals 2 & 3.)

DIMENSIONS





NITTAN

**SENSORTEC-ACCESSORIES
BELLS, SOUNDERS,
CALLPOINTS,
REMOTE INDICATOR LED & SOUNDERS/BEACONS
INSTRUCTION MANUAL**

No: NISM/ACCES/03	
DATE: NOVEMBER 2001	
PAGE: 7 of 8	ISSUE: 03

**IB-R-SW2-24 XENON BEACON
DESCRIPTION**

The XB range of xenon beacons have been designed to compliment other products in our range, both technically and aesthetically.

TECHNICAL SPECIFICATION

Part No: IB-R-SW2-24, XENON BEACON (RED)
Part No: IB-A-SW2-24, XENON BEACON (AMBER)

Red or Amber Xenon beacon

Flash Energy: 0.65J

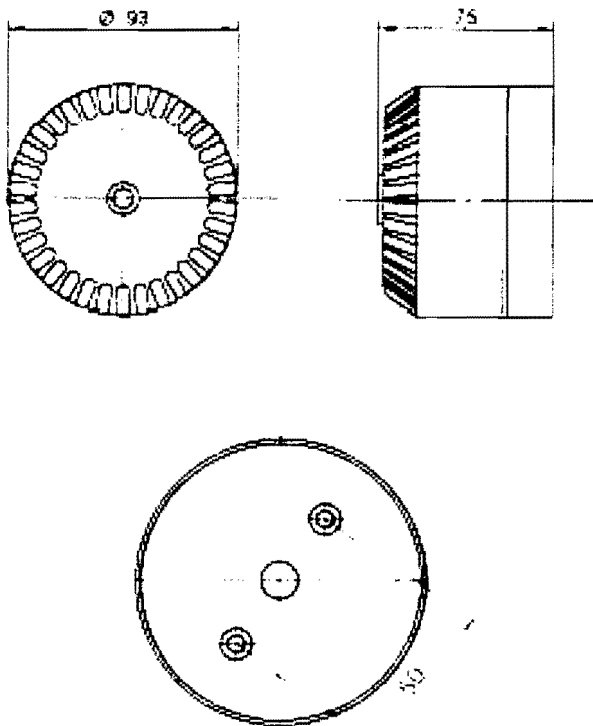
Output: 1 Watt

Current Consumption: 45mA @ 24V d.c.

Voltage Range: 20-30V d.c.

Operating Temperature: -20°C to +55°C

DIMENSIONS



**FL-RL-RD COMBINED XENON BEACON &
SOUNDER
DESCRIPTION**

The FL combined xenon beacon/sounder has been designed to compliment other products in our range, both technically and aesthetically.

TECHNICAL SPECIFICATION

Part No: FL-RL-RD

IP65, Red Xenon Beacon/Sounder, 3 Tones

Output: 60 Flashes per Minute

Current Consumption: 68mA (average)

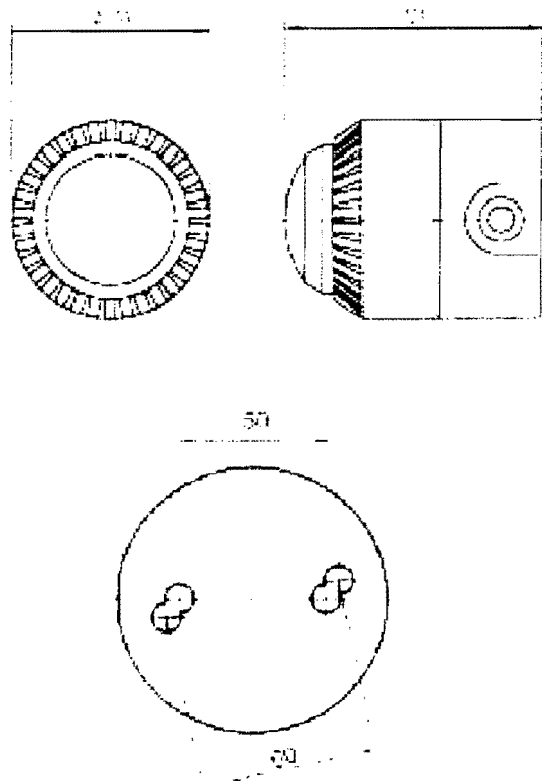
Voltage Range: 18-30V d.c.

Sounder dB: 101dB @ 1m

Deep Base Version

Operating Temperature: -10°C to +55°C

DIMENSIONS





SENORTEC-ACCESSORIES
BELLS, SOUNDERS,
CALLPOINTS,
REMOTE INDICATOR LED & SOUNDERS/BEACONS
INSTRUCTION MANUAL

No: NISM/ACCES/03	
DATE: NOVEMBER 2001	
PAGE: 8 of 8	ISSUE: 03

1992ROSH-DB, WEATHER PROOF
SOUNDER
DESCRIPTION

The Roshni sounder has been designed to compliment other products in our range, both technically and aesthetically.

TECHNICAL DESCRIPTION

IP65, Weatherproof Sounder, 1-28 Tones

Current Consumption: 18mA

Voltage Range: 9-28V d.c.

Sounder dB: 100dB @ 1m.

Deep Base Version

Operating Temperature: -40°C to +80°C

DIMENSIONS

