

TATE & FIRE - ENGLAND - tel: 01934 744111 fax: 01934 744304

## ESPACE KIT

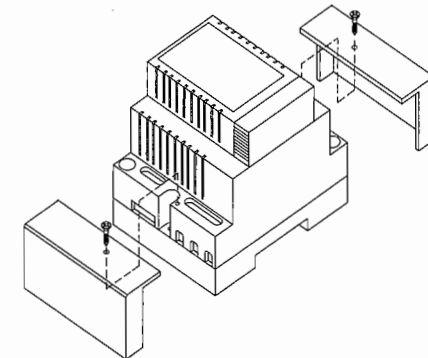
### DOOR-PHONE KIT 1 - 3 UNITS

Mod. 65021B / 65022B / 65023B

**IMPORTANT:** Before Operating the system please read carefully the instructions on this booklet.

#### POWER SUPPLY

Fix the power supply on the wall with 2 plugs and screws or engage it on DIN rail. After the wiring install the plastic covers over the wire terminals



**Important:** Don't cover or obstruct any of the heathsink slots. Wire exactly as the enclosed diagram. Foresee a mains breaker circuit, Don't change fuses with different types ratings.

#### SAFETY INSTRUCTIONS FOR THE INSTALLER

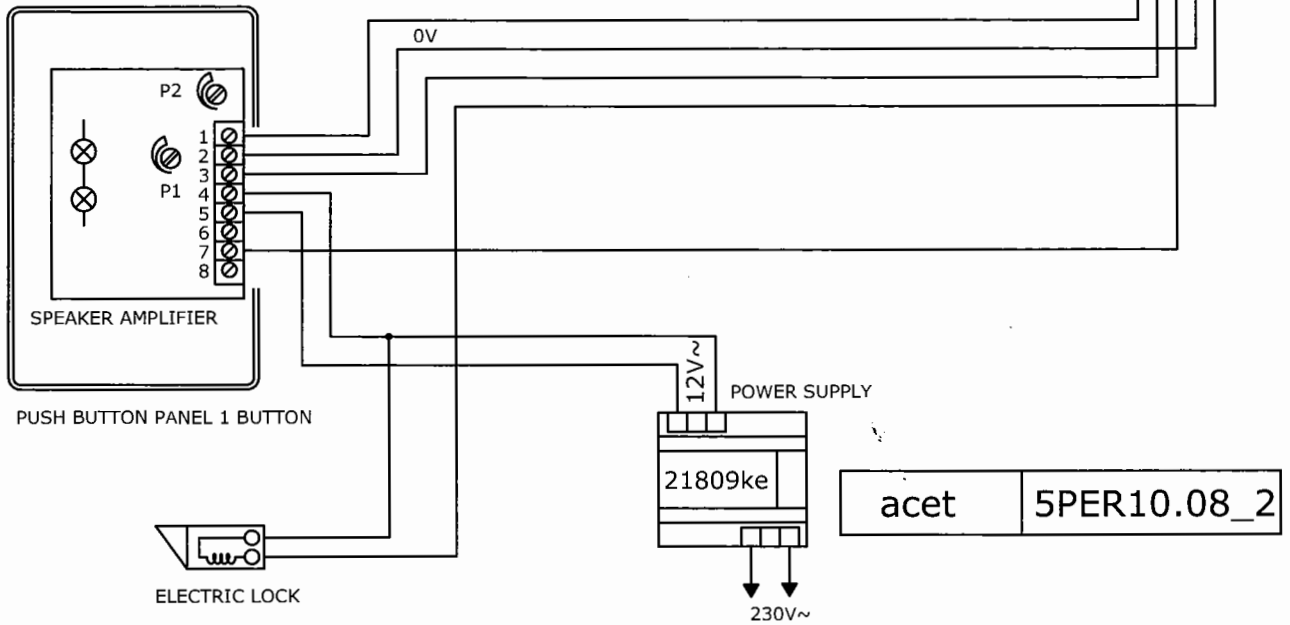
- 1) Carefully read the instructions in this manual: they give important information of the safety, use and maintenance of the installation.
- 2) After removing the packing, check the integrity of the set. Packing components (plastic bags, expanded polystyrene etc.) are dangerous for children. **Installation must be carried out according to national safety regulation.**
- 3) A safety switch, installed before the power supply, is recommended.
- 4) Before connecting the set, ensure that the data on the label corresponds to the local supply voltage.
- 5) Use this set only for the purposes designed, i.e. for video doorphone system. Any other use may be dangerous. The manufacturer is not responsible for damage caused by improper, erroneous or irrational use.
- 6) Before cleaning or maintenance, disconnect the set.
- 7) In case of failure or faulty operation, disconnect the set and do not open it. For repairs consult only the technical assistance centre authorized by the manufacturer. Safety may be

# ESPACEKIT 65021B

P1 ADJUSTMENT LAUSPEAKER VOLUME

P2 ADJUSTMENT MICROPHONE VOLUME

PULSAR

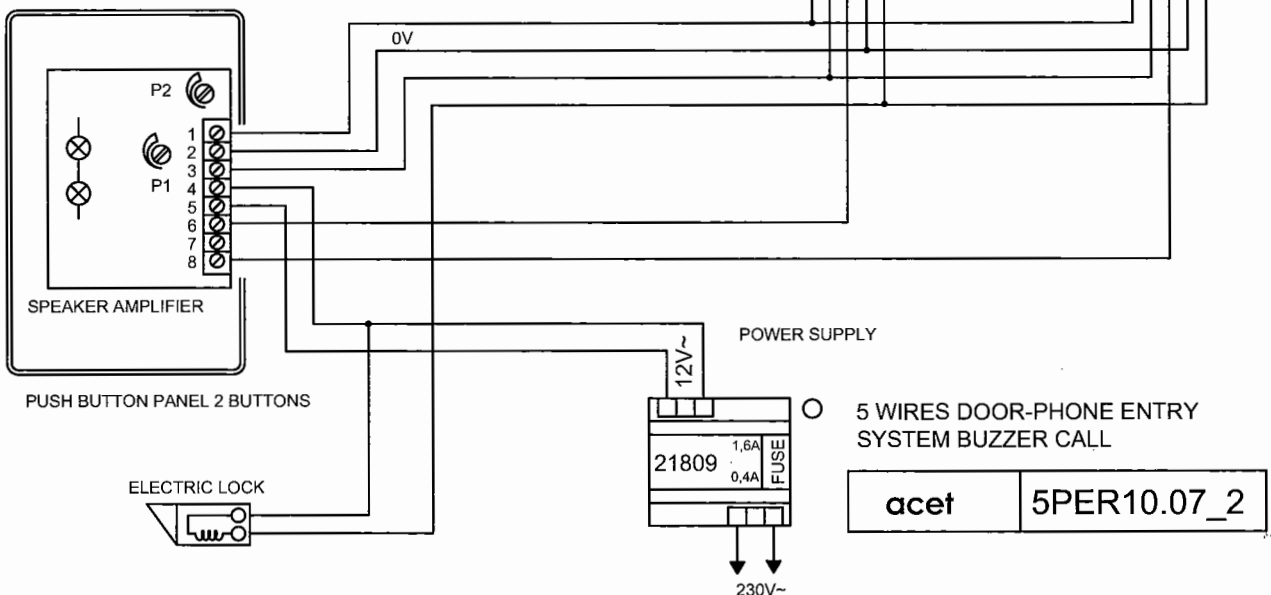


# ESPACEKIT 65022

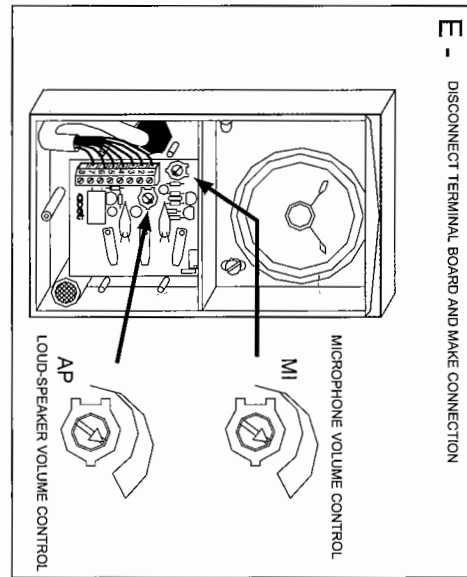
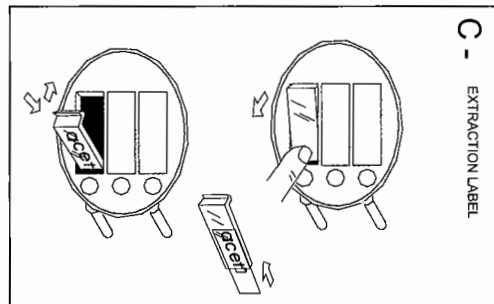
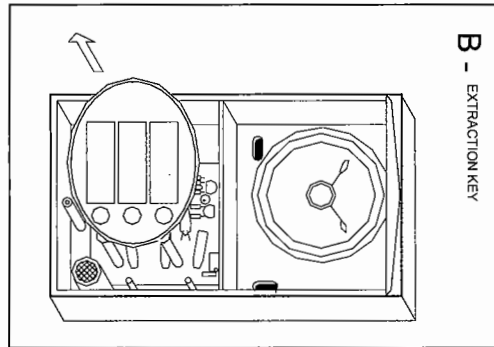
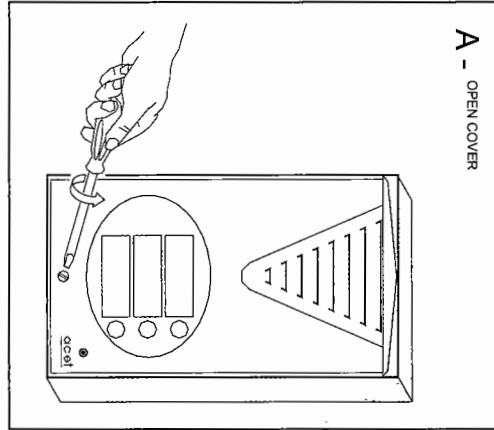
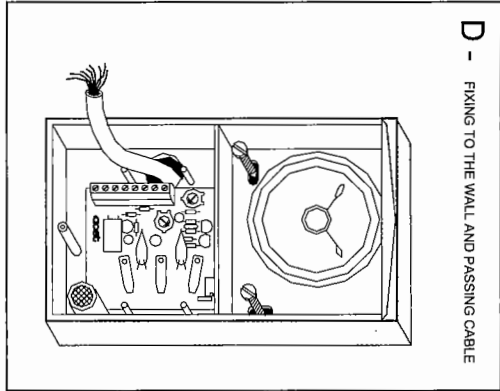
P1 ADJUSTMENT LAUSPEAKER VOLUME

P2 ADJUSTMENT MICROPHONE VOLUME

PULSAR



## INSTALLATION



compromised if these instructions are disregarded.

- 8) Don't obstruct openings of ventilation/heat exit slots.
- 9) Installer must ensure that manuals with the above instructions are left on connected units after installation, for user's informations.
- 10) Don't use water to clean any of the system components.
- 11) For installation and maintenance use only proper material.
- 12) ACET reserve the right to change the components or part of the components to improve the system.
- 14) Please refer to appendix 1 for the choice of the cables.

## TABLE SHOWING SIZE OF CABLE FOR LENGTH OF RUN

Between power supply and speaker amplifier

distance (m.)	8	16	24	40
Section of Wire (mmq)	0,5	1	1,5	3
Diameter of Wire (mm.)	0,8	1,16	1,38	1,95

Between telephone and speaker amplifier

distance (m.)	30	70	150	300
Section of Wire (mmq)	0,28	0,5	1	1,5
Diameter of Wire (mm.)	0,6	0,8	1,16	1,38

## Technical Notes: ELECTRIC LOCKING

### ELECTRO - MAGNETS

**Please note** Magnet based Systems will typically include most of the following: Magnet, Bracket, Power Supply, Backup Battery, Exit Button, Emergency Break Glass, Keypad swipe or prox reader, Override Key Switch.

**When specifying** magnets you need to consider various points. Is the system designed to restrict access throughout a building? In this case a slimline magnet with a holding force up to 600 Ibs will probably suffice. Is the door designed for medium security use? In this case a standard magnet with a holding force up to 1200 Ibs will probably suffice. Is the door in a high security situation? In this case a shear magnet with a holding force up to 3000lbs is necessary. A shear mag is also the only type of magnet suitable for double action doors. You will also need to consider what will happen in an emergency or if there is a power failure.

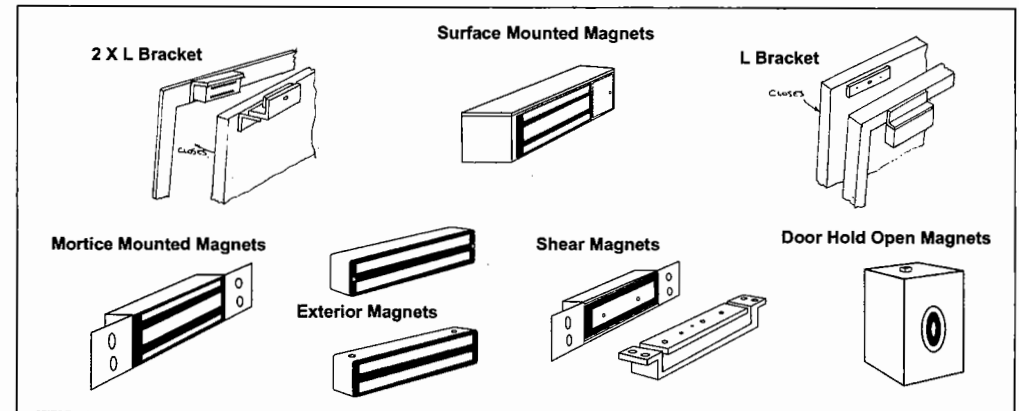
**Magnets** are fail unlocked devices, they require a constant power source to keep them locked. A magnet is unlocked by breaking the feed from the power supply. You can also break this feed with a fire alarm relay to unlock the door in event of fire. A regulated 12V DC or 24V DC power supply should always be used.

Please ensure that the power supply specified has sufficient capacity (amps) for all the devices attached to it.

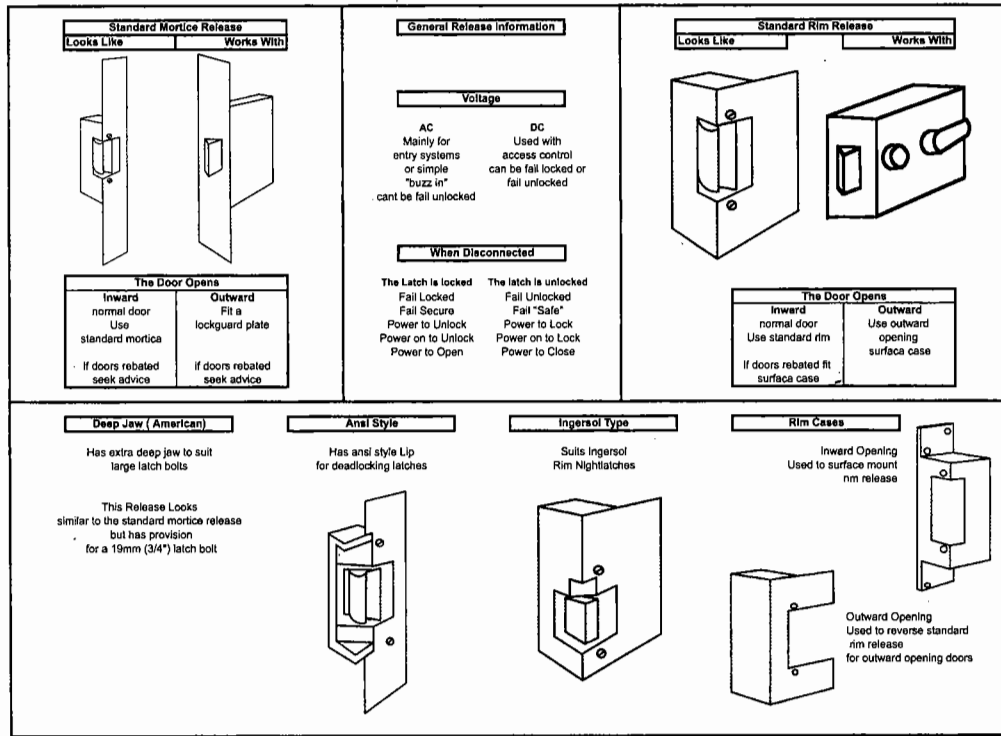
You should consider fitting a backup battery to the power supply in case of mains failure.

When interfacing with an entry system you need both a relay and a power supply for the magnet.

On most magnet systems you should always fit an emergency break glass unit. Please ensure that when fitting you do not over-tighten the armature plate.



# ELECTRIC RELEASE



## Technical Notes: DOOR ENTRY

### TYPICAL QUESTIONS

**1)Q. WHAT IS THE ADVANTAGE OF INSTALLING A 2-WIRE SYSTEM OVER A 5-WIRE?**

A. Easier to install (less connections), secrecy of conversation (optional), multiple entrance capability, reduced cable costs (when replacing a door-bell system often 90% of cable already installed).

**2)Q. WHAT TYPE OF CABLE IS REQUIRED?**

A. Each installation will require different length of cable run, cable type and cross-section are all factors which need to be considered. Multi-stranded alarm cable gives the best results - 0.2 mm sq. for 5-wire and 0.6 mm sq. for 2-wire, (do not use solid drawn cable), within 80m cable run between door and handset.

**(3)Q. A WHISTLE OR 'HOWL' CAN BE HEARD FROM BOTH THE HANDSET AND ENTRANCE PANEL WHENEVER THE HANDSET IS LIFTED?**

A. This noise is called acoustic feedback and is generally caused by poorly balanced volume control settings on the speaker amplifier. Poor location of panel, close handset proximity to panel, normally less than 3m, or mis-wire are just some of the other causes.

**(4)Q. IS ACET DOOR-ENTRY EQUIPMENT COMPATIBLE WITH OTHER**

**MANUFACTURER?**

A. Not normally.

**(5)Q. CAN MORE THAN ONE HANDSET BE CONNECTED PER WAY?**

A. Handsets can be paralleled off each other except on the 55000/S kit which is not expandable. We recommend that you only parallel handsets on systems which have volume controls, do not exceed 5-handsets per way (distance between phones, cable type and cross-section, panel location are all factors in this), 5-wire systems are better for attempting multiple phone connections. Do not exceed more than two parallel handset in Pulsar range.

**(6)Q. WHAT DO THE TERMS PRIVACY AND SECRECY OF CONVERSATION MEAN?**

A. The term privacy relates to a switch which is installed on certain types of handset to prevent the internal buzzer from activating. Secrecy of conversation prevents other users from 'listening in' on your conversation (2-wire, 3-wire and video only).

**(7)Q. CAN YOU HAVE MORE THAN ONE EXTERNAL PANEL CONNECTED?**

A. Yes you can; multiple-entrance systems have now been available for some time - 2-wire, 3-wire, video and digital systems all have this capability (although there is no real limit on the amount of panels you can connect, only one user can use the system at any one time, so common sense should be applied when selecting numbers of entrance panels).

**(8)Q. DOES THE VIDEO SYSTEM REQUIRE A COAXIAL CABLE?**

A. You must use a 75-ohm or RG59 coaxial cable.

**(9)Q. WHAT IS THE DIFFERENCE BETWEEN A FAIL-OPEN AND FAIL-SECURE LOCK RELEASE?**

A. A fail-open lock release is a release which requires a permanent supply (usually 12v/24v DC) in order to lock. A fail-secure release requires a supply to unlock, commonly 12 vac.

## PRODUCT SELECTOR

FEATURES	5 - wire	2 - wire	3 - wire	Trade entry	Privacy	Secrecy	Multi-Entrance	Hands Free	Integrated Keypad	Desk Mid Handsets	Battery Back-up	Vandal Resistant	Brass Finish	Parallel Handsets
Pulsar	✓													✓
Family Kit	✓	✓												✓
Avon Range	✓	✓	✓	✓	✓	✓	✓	✓	✓	✓				✓
Windsor Range	✓	✓	✓	✓	✓	✓	✓	✓	✓	✓	✓			✓
Scorpion Range	✓										✓	✓		✓
Saracen Range	✓	✓	✓	✓	✓	✓	✓	✓	✓	✓	✓	✓	✓	✓
Video			✓		✓	✓					✓			✓
Digital		✓	✓	✓	✓	✓		✓	✓	✓	✓			✓
AC411	✓							✓			✓	✓		✓