

PRIMA

Service Information**Built-in Oven****LPR 9022**

8579 208 15510

Last Modification: 08/28/10

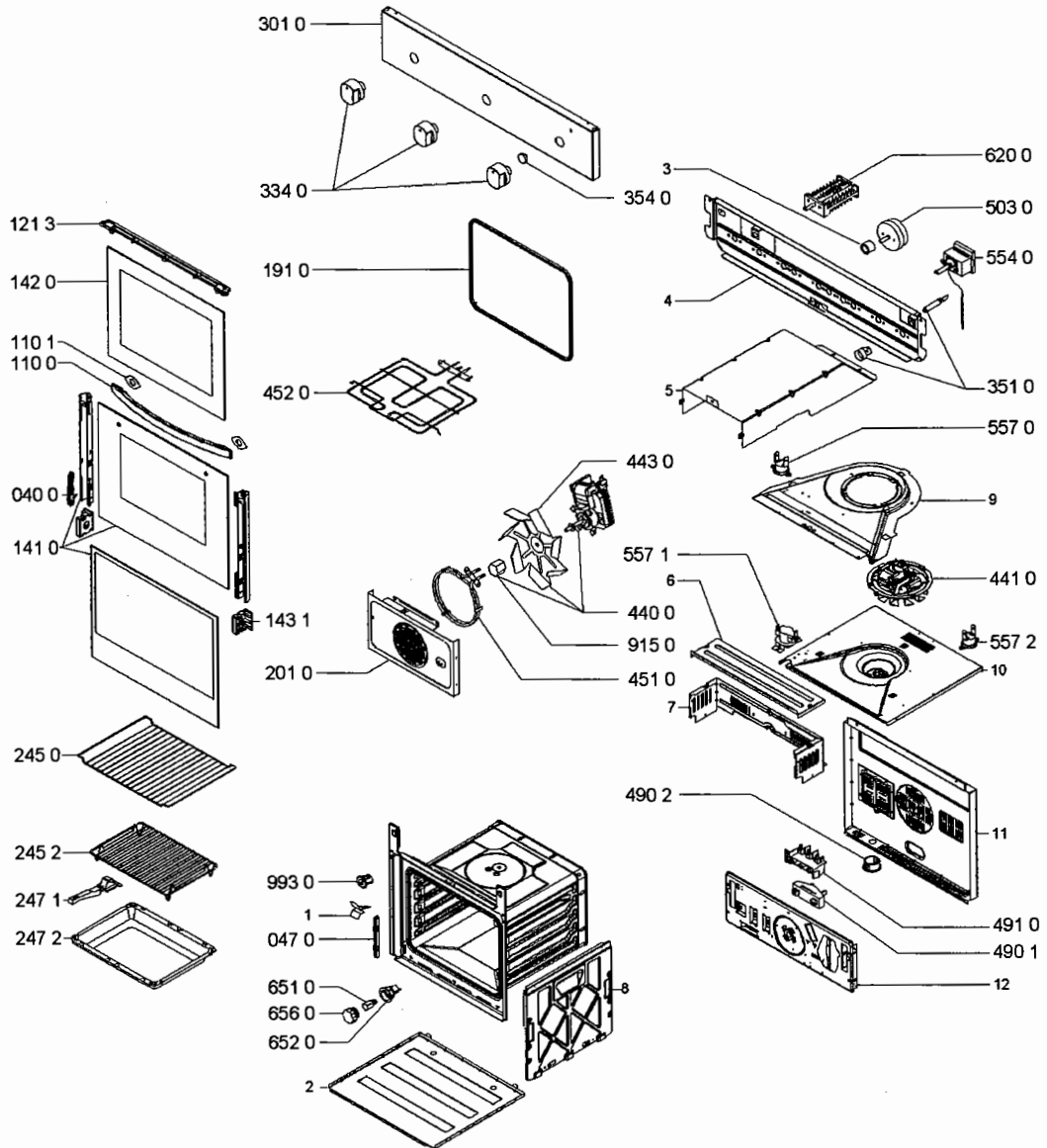
Spare Part List	2
Exploded View	3
Dimensional Sketch	4
Technical Data	5
Wiring Diagram	6
Service Bulletin 4812 715 40304	9
Service Bulletin 4812 715 40185	10
Service Bulletin 4812 715 40332	12

This document is only intended for qualified technicians who are aware of the respective safety regulations.
Subject to modifications

Spare Part List

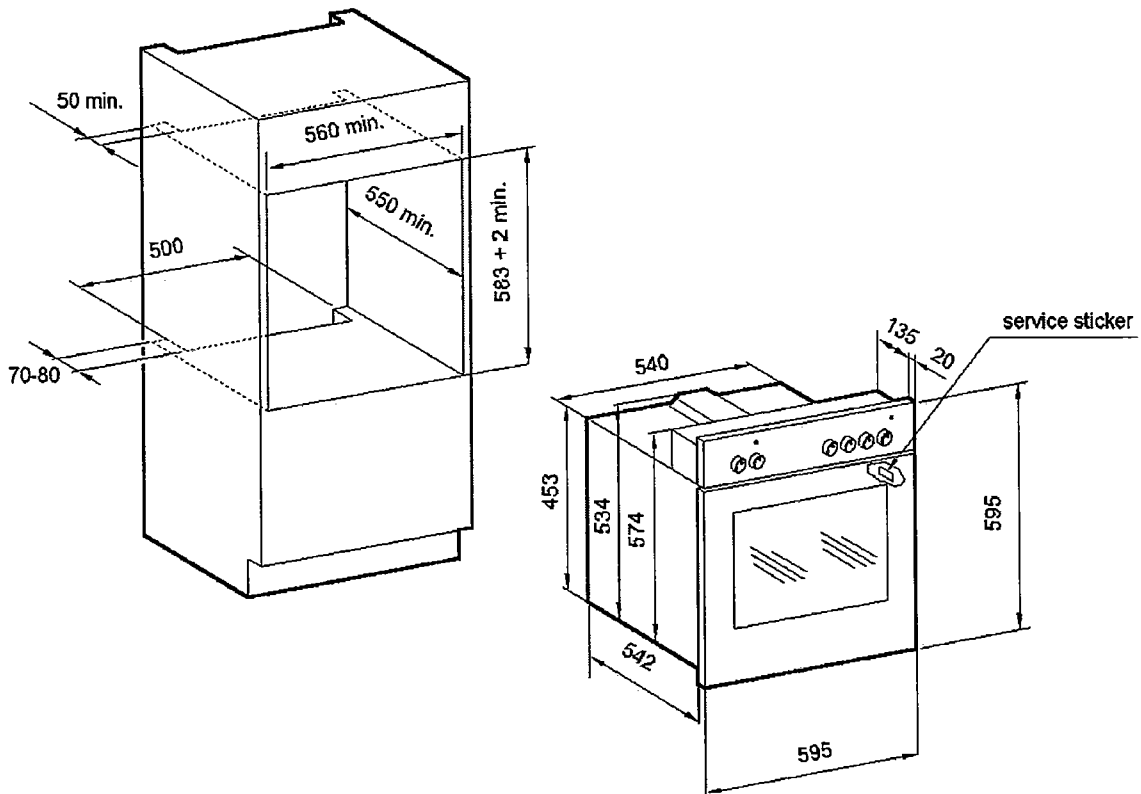
Pos	12NC	Description
040 0	4812 417 19339	Hinge
047 0	4812 417 19137	Hinge run.mech.
110 0	4819 498 58588	Handle door
110 1	4819 462 48443	Rubber
121 3	4812 460 58418	Exhaust fume Venturi
141 0	4812 450 59964	Oven glass + supports
142 0	4812 450 59576	Inner glass
143 1	4812 404 49841	Support glass
191 0	4812 466 88874	Gasket door
201 0	4812 442 69486	Panel rear
245 0	4812 458 19334	Oven shelf
245 2	4819 458 19538	Grid
247 1	4819 395 48003	Plier grid
247 2	4812 418 38149	Fat pan enameled
301 0	4812 452 40223	Panel control
334 0	4812 412 79476	Knob
351 0	4801 310 00099	Kit pilot lamp
354 0	4819 462 79749	Lens red
440 0	4812 361 18604	Motor fan
441 0	4812 361 18527	Ventilator cooling
443 0	4819 515 48065	Fan wheel
451 0	4812 259 98405	Heating element forced-air 240 V
452 0	4819 259 28817	Heating element upper/grill
490 1	4812 290 68255	Clamp cable
490 2	4812 316 18036	Cover cable
491 0	4812 290 68329	Connectionblock
503 0	4819 349 48019	Timer
554 0	4812 282 08669	Thermostat
557 0	4812 282 28209	Temper.limiter
557 1	4812 282 28329	Temper.limiter 3-way
557 2	4812 282 28282	Temper.limiter
620 0	4812 273 18113	Switch,oven
651 0	4819 134 88153	Lamp,oven
652 0	4819 255 18237	Holder lamp rear
656 0	4812 450 28007	Lamp screen rear
915 0	4819 505 18145	Nut
993 0	4812 310 39061	Spacer

Exploded View



0000 006 00991

Dimensional Sketch



Z8100132

Technical Data

Electrical base data

Rated voltage 230 V~
Main connection 230 V 1N~50 Hz

Power Consumption

Total connected load 2300 W
Grill heating element 2250 W
Forced air 1840 W

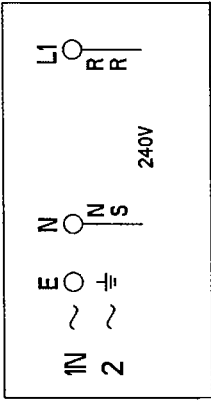
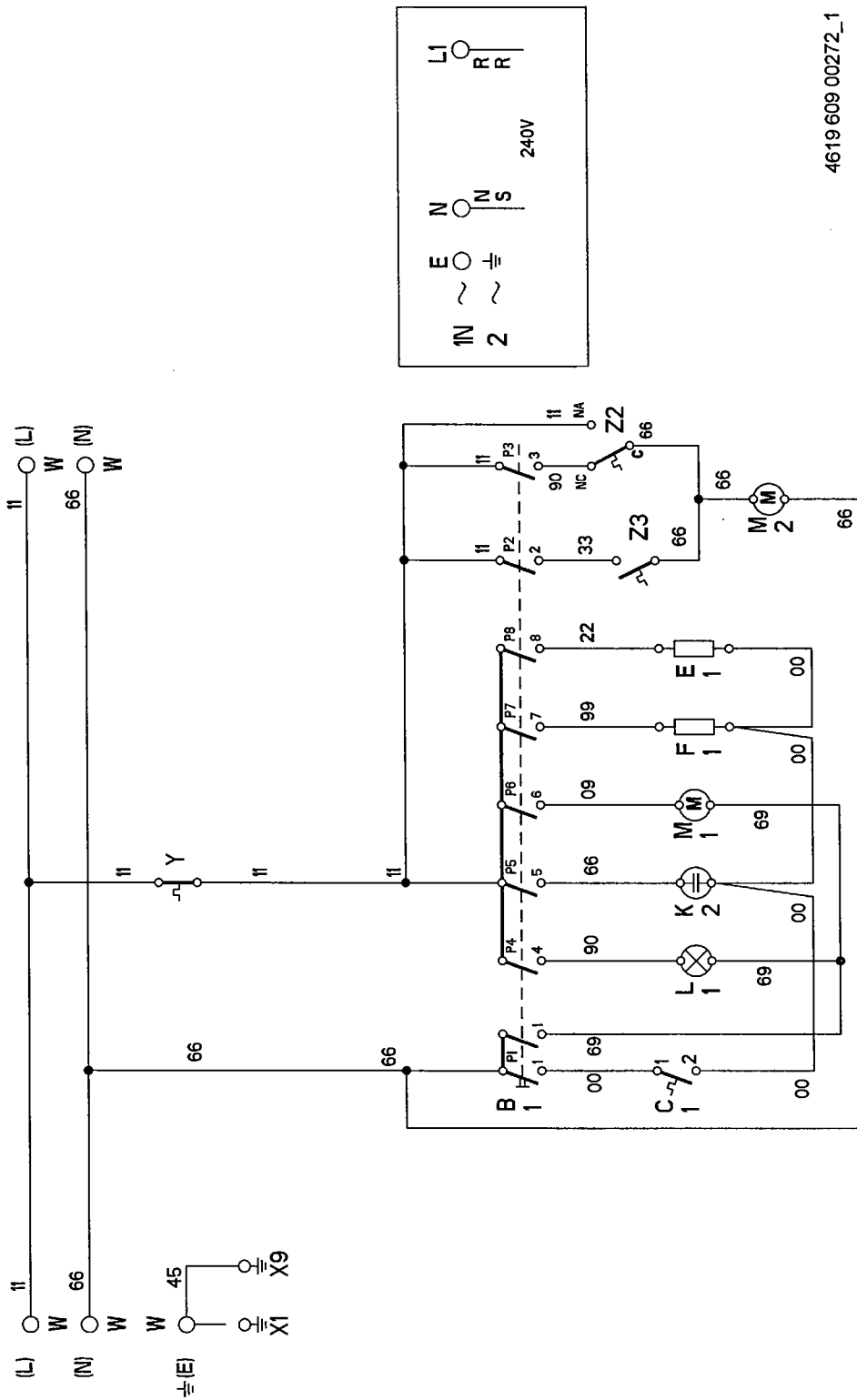
Electrical components

Auto timer
Minute minder

Accessories

Pan set enameled 415 x 318 mm
Grid chrome 446,5 x 340 mm

Wiring Diagram



4619 609 00272_1

Wiring Diagram

	0	1	2	3	4
P1-1		X	X	X	X
P2-2				X	
P3-3			X		X
P4-4		X	X	X	X
P5-5				X	X
P6-6			X	X	
P7-7				X	
P8-8					X
B1 4619 615 15711					

4619 609 00272_2

Legend

B1 OVEN SELECTOR
C1 OVEN THERMOSTAT
E1 GRILL HEATING EL.
F1 ROUND HEATING EL.
L1 OVEN LAMP
K2 OVEN THERMOSTAT OVEN LAMP
M1 CAVITY FAN
M2 COOLING FAN
W MAINS TERMINAL BLOCK
X1 EARTHING CABINET
X9 EARTHING UPPER H.E./ GRILL
Y THERMOFUSE
Z2 COOLING FAN THERMOLIMITER
Z3 A-CLASS THERMOLIMITER

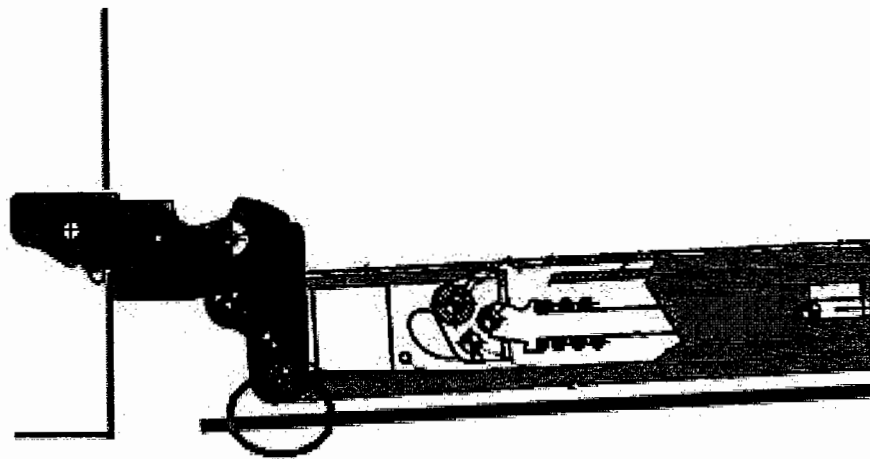
00 BLACK
11 BROWN
22 RED
33 ORANGE
44 YELLOW
55 GREEN
66 BLUE
77 VIOLET
88 BLUE-SKY
99 WHITE
09 WHITE-BLACK
29 WHITE-RED
45 YELLOW-GREEN
49 WHITE-YELLOW
69 WHITE-BLUE
90 GREY
92 PINK

60900272en

Service Bulletin 4812 715 40304**AUTHOR:** Sabine Wilky**Last Update:** 05/04/10**VERSION:** 1.0**TITLE:** spontaneous glass break, outer door glass**SUBJECT:** Under certain circumstances it can happen, that the outer door glass breaks. This can happen every time e.g. during heating up, opening the door, cooling down.**CAUSE**

As cause it was detected a too small gap between hinge mechanism and inner side of the outer door glass. This gap results from bad tolerances. That means not all oven doors will consequently break.

By moving the door mechanism during opening and closing the door, the round edge of the lever pushes against the glass surface. This causes aging cracks.



From week 26/2008 production changed the hinges.

REMEDIAL ACTION

Replace the outer door glass and replace the hinges of the oven with the ones mentioned in the list of codes attached below.

door	Type	Cassinetta 14			
		New 12NC	Current	New 12NC	Current
6M	3 glasses	4801 211 00252	4812 417 19437	4801 211 00258	4812 417 19275
	2 glasses	4801 211 00253	4812 417 19471	4801 211 00259	4812 417 19339
	2 glasses-Light	4801 211 00254	4812 417 19521	4801 211 00261	4812 417 19522
	3 glasses KA	4801 211 00255	4812 417 19516		
3M of 9M	3 glasses	4801 211 00256	4812 417 19438		
	2 glasses	4801 211 00257	4812 417 19439		

Service Bulletin 4812 715 40185

AUTHOR: Jochen Hohl

Last Update: 07/01/09

VERSION: 1.0

TITLE: Spring used to fix the thermostat on the back of the cavity

CAUSE

If part breaks or is lost

REMEDIAL ACTION

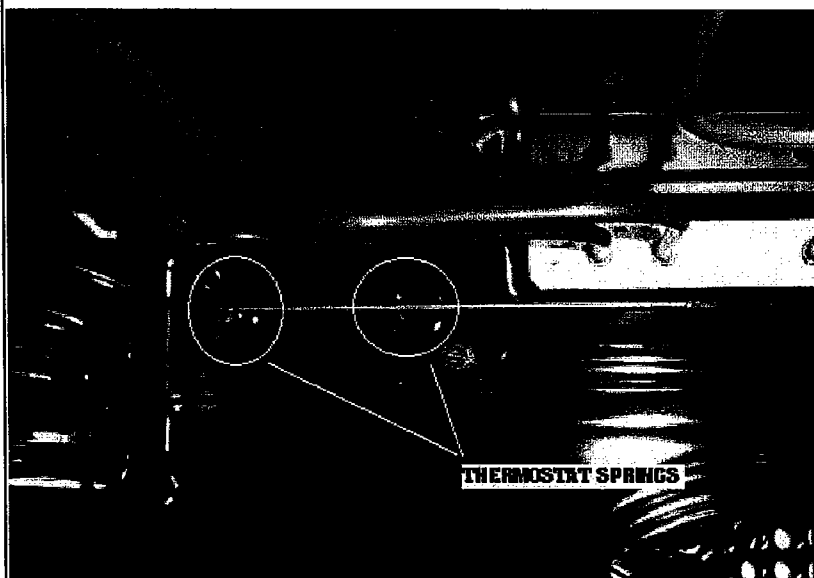
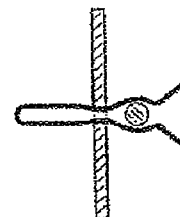
Exchange with spare part

The metal clamp to fix the thermostat inside the cavity is from now on listed in the parts lists. To your information here the part number:

4812 404 18649



Metal spring to fix the temperature feeler.



The clamp is used for Thermostats:

Cassinetta:

- 4812 282 08626
- 4812 282 08627
- 4812 282 38143
- 4812 282 38164
- 4812 282 38154
- 4812 282 38163
- 4812 282 08661
- 4812 282 38243
- 4812 282 28355

Wroclaw:

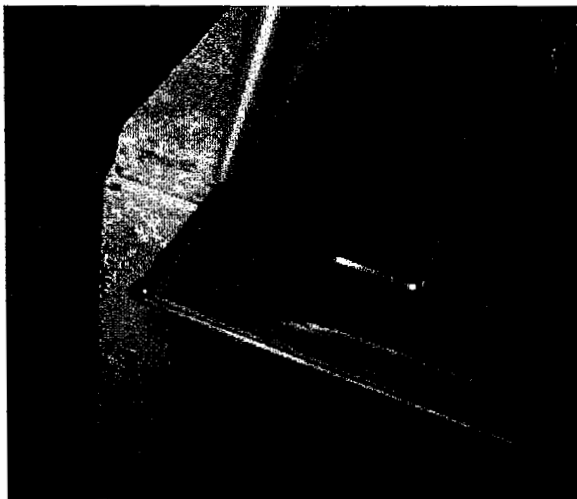
- 4812 282 08669
- 4812 282 08671
- 4812 282 38174

Service Bulletin 4812 715 40332**AUTHOR:** Pasquale Lattuca**Last Update:** 07/01/09**VERSION:** 1.0**TITLE:** Sharp edges.**SUBJECT:** Due to the gap between Door frame & Door, can it happen that customers cut their finger.**REMEDIAL ACTION**

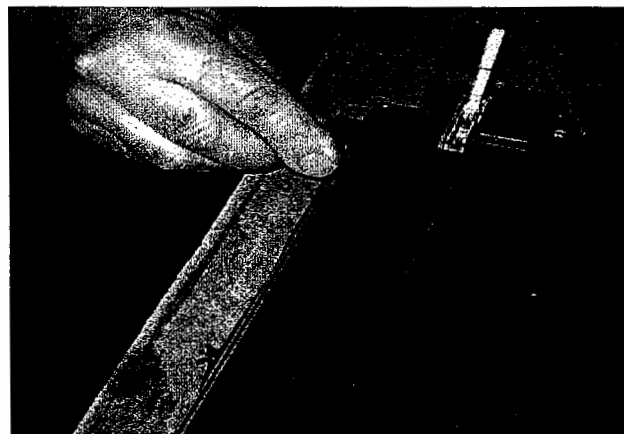
Fill the gap with heatresistant silicon.

Please follow below mentioned instructions!

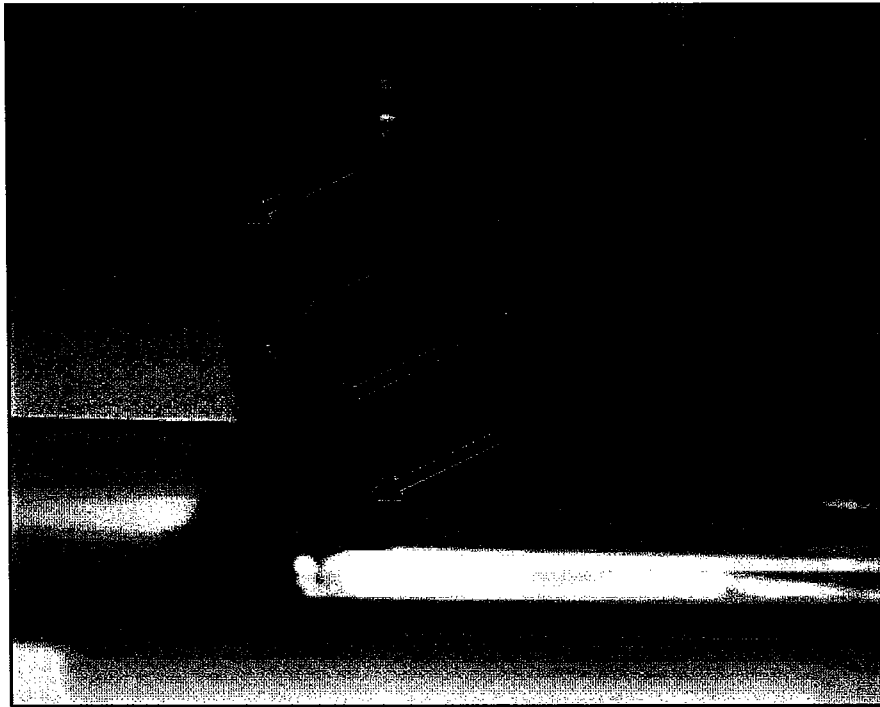
1. Remove the door from the oven
2. Place the oven door on an appropriate surface. Use a protection to avoid eventual scratches and aesthetical damages on the door!
3. Fill the gap with silicone
Silicon Service 12 NC
4801 211 01618
Use an appropriate dispenser size to be sure completely filling the gaps.



4. Remove silicone in excess with the aid of a spatula.



5. Silicone should completely fill the gap so that glass and inox edge are flat.



6. Wait 20 minutes and reinstall the oven door.

IMPORTANT!!!

Wait 24 hours before using again the appliance.